

Lightning protection grommet

Data sheet

Function:

Used to duct a lightning conductor with a diameter of up to 10 mm through the roofing unit.

Type of connection:

Welding; direct connection to the roof sheeting; PVC, PP, PE.

Options:

Basic colours
PE, PVC: Light grey
PP: Sand grey

Special Colours adapted to the colour of the roof sheeting upon request.

Packing:

packed in box;
packing unit = 25 pieces

The installation specifications of the roof sheeting manufacturers must be adhered to; the materials and material compounds used are subject to change; where necessary, further tests are to be carried out.

Custom-made products cannot be exchanged.

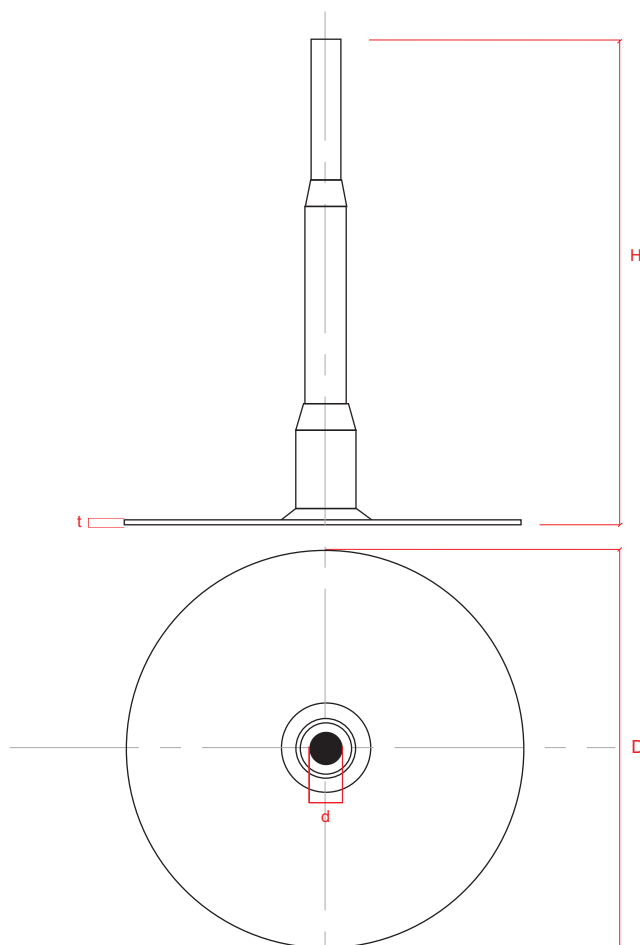
For further information please call your KALA technical advisor.

KALA, K.-H. Lange GmbH+Co.KG reserves the right to any change as may be technically or legally required without prior notice.

Last update: October 2009

KALA®

Ideas for the roofs!



Lightning protection grommet

D	170	mm
H	200	
d	10	
t	3	