

# Support system height adjustable

## Data sheet

# KALA®

*Ideas for the roof!*

### Function:

Support for the installation of all types of coverings, especially stone slabs and wooden structures. Height adjustment using compensating rings makes it easy to level out any unevenness in the foundations and any slopes. The KALA support element and the pressure disc, which can be supplied as an accessory, form a sliding bearing system. This support can be installed directly on the damp-proofing membrane. Protective mats are not required in areas subject to normal wear and tear (additional protective mats must be fitted in areas frequented by the public, such as entrances to public buildings, cafeterias, etc.).

### Options:

Joint divider widths 3 mm and 4 mm, removable joint divider wings

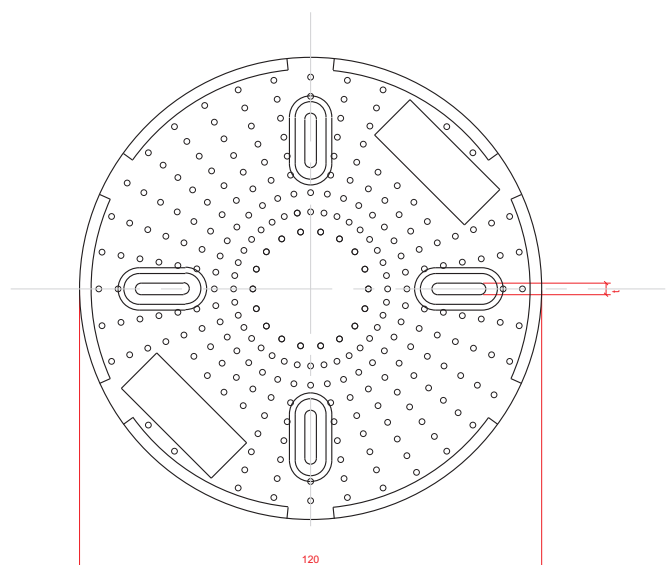
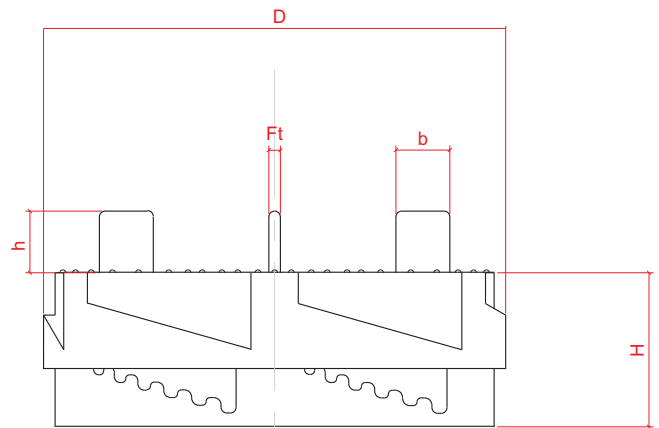
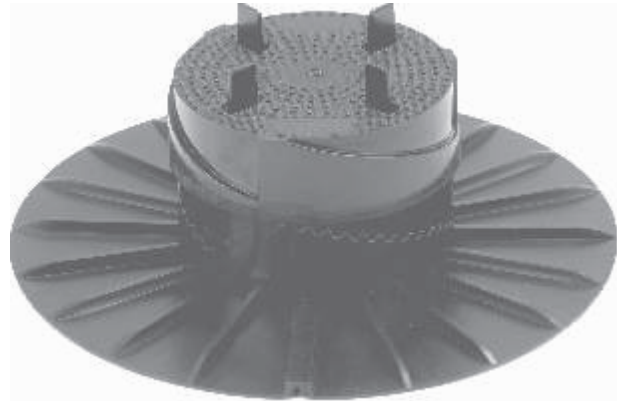
KALA wood: a level surface without wings fitted under wooden components

### Packing:

PE plastic bag

### Accessories:

Pressure disks D200, D250



Support system height adjustable			
	H1	H2	mm
D	120	120	
H	28-42	40-70	
h	16	16	
b	14	14	
Ft	3 or 4	3 or 4	

For further information please call your KALA technical advisor.

KALA, K.-H. Lange GmbH+Co.KG reserves the right to any change as may be technically or legally required without prior notice.

Last update: October 2009