

Universal Grommet

Data sheet

Function:

Used to duct pipes, cables and wires such as solar energy, photovoltaic installations and lightning protectors as well as guardrails with a diameter ranging from 8 to 32 mm through the roofing unit.

Type of connection:

Welding; direct connection to the roof sheeting: PVC, PP, PE.

Options:

Basic colours
PE, PVC: Light grey
PP: Sand grey

Special colours adapted to the colour of the roof sheeting upon request.

Packing:

packed in box;
packing unit = 25 pieces

The installation specifications of the roof sheeting manufacturers must be adhered to; the materials and material compounds used are subject to change; where necessary, further tests are to be carried out.

Custom-made products cannot be exchanged.

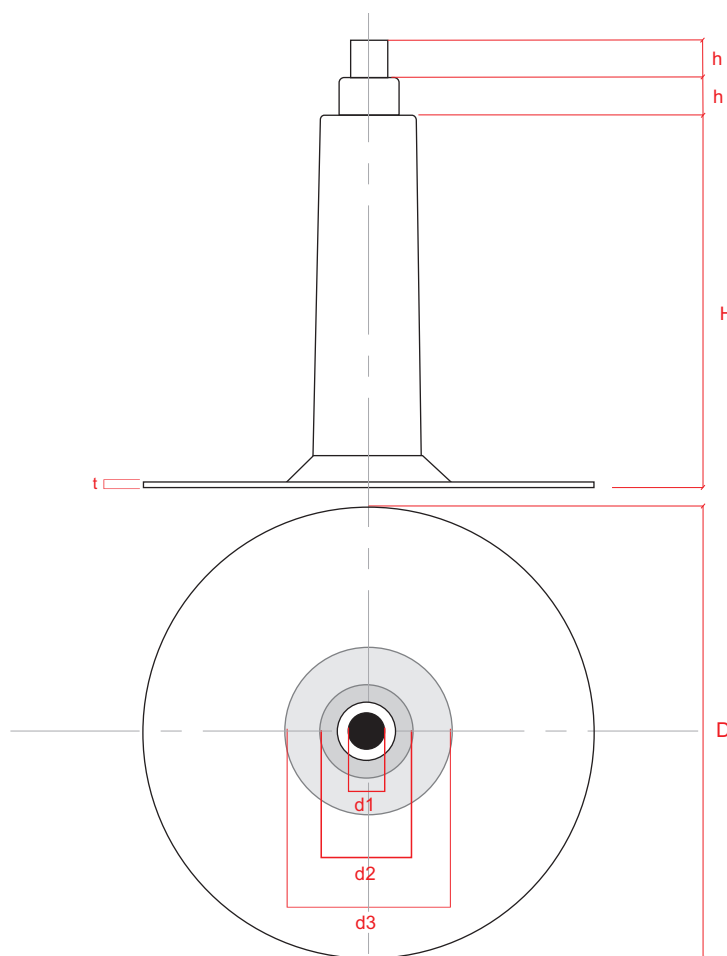
For further information please call your KALA technical advisor.

KALA, K.-H. Lange GmbH+Co.KG reserves the right to any change as may be technically or legally required without prior notice.

Last update: October 2009

KALA®

Ideas for the roofs!



Universal grommet		
D	167	mm
H	150	
d1/d2/d3	8/16/32	
t	3	
h	10	