

Terrace support system height-adjustable

Function:

Terrace support system ideal for laying all kinds of coverings, especially stone slabs and timber grate constructions. The height can be adjusted to easily compensate for unevenness in the substrate and gradients. The KALA pedestal forms a sliding bearing system with the pressure disc, which is available as an accessory. It can be used for direct laying on the waterproofing. In public areas with high footfall, such as cafeterias and visitor terraces, additional protective mats must be placed underneath.

Variants:

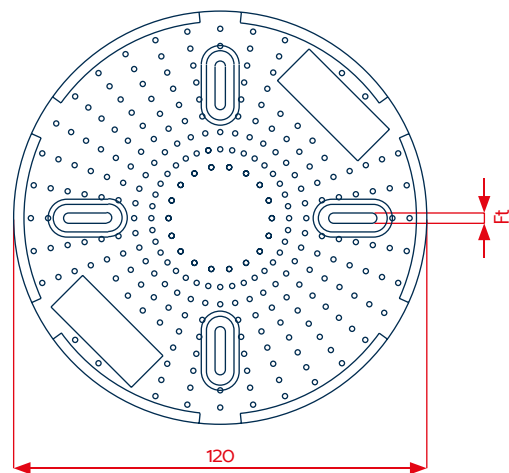
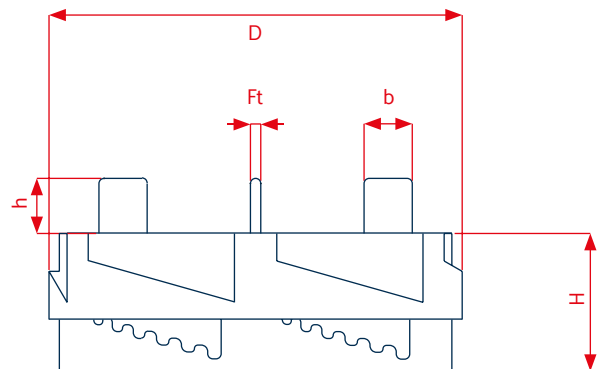
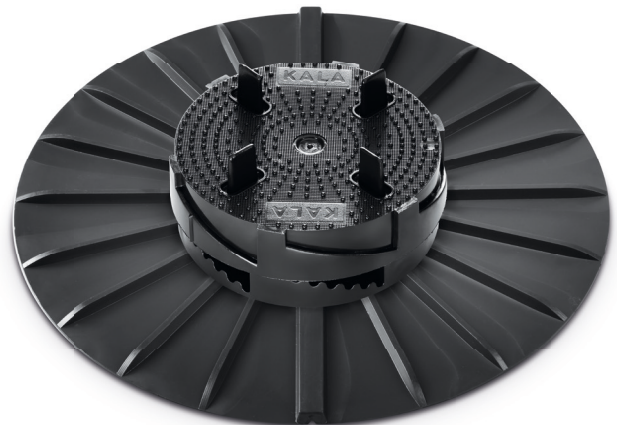
- Joint spacer tabs for joint widths 3 mm^{1,2}, optionally various joint widths
- Joint spacer tabs detachable for laying in bond or at the edge
- KALA Wood: Surface without joint spacer tabs for use under timber constructions

Packaging units:

Delivery in box, PU 50 pieces

Accessories:

- ProSilent disc
- Pressure disc



Technical data		
	H1	H2
D	120 mm	120 mm
Ft	3, alternatively 4 mm	3, alternatively 4 mm
H	28 - 42 mm	40 - 70 mm
h	16 mm	16 mm
b	14 mm	14 mm

¹Also available with a 4 mm joint width / ²Also available without joint spacer tabs
KALA - KUNSTSTOFFE | Karl-Heinz Lange GmbH+Co.KG reserves the right to make technical changes.