

Terrace support system H-MAX MultiLevel

Function:

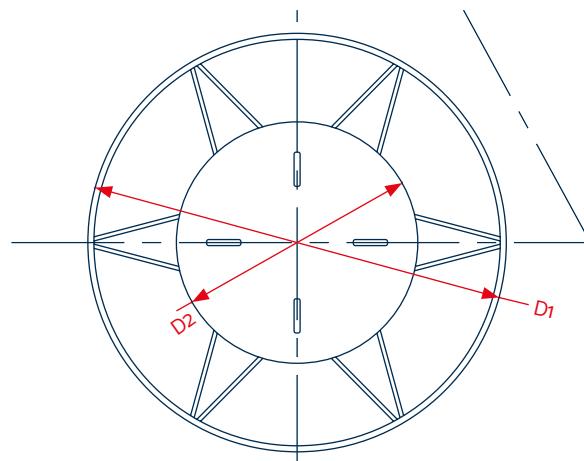
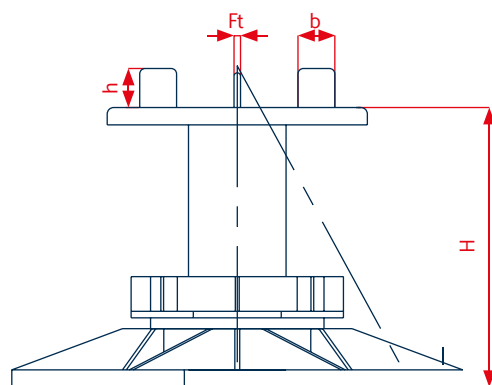
The H-MAX MultiLevel is a height-adjustable terrace support system with an additional, movable levelling head. All types of coverings – wood, stone or ceramic – can be easily laid with it. The levelling head can be moved up to 5° to securely compensate for steep gradients and unevenness. It can be used for direct laying on the waterproofing. In public areas with high footfall, such as cafeterias and visitor terraces, additional protective mats must be placed underneath.

Variants:

- Joint spacer widths 3 mm
- Joint spacer tabs detachable
- Integrated notch for cutting off the base in the edge area
- Rubber bearing for noise reduction

Packaging units:

Delivery in box, PU 25 pieces



Technical data				
	62 - 82 mm	77 - 112 mm	107 - 142 mm	137 - 227 mm
D1	200 mm	200 mm	200 mm	200 mm
D2	120 mm	120 mm	120 mm	120 mm
H	62 - 82 mm	77 - 112 mm	107 - 142 mm	137 - 227 mm
h	10 mm	10 mm	10 mm	10 mm
b	13 mm	13 mm	13 mm	13 mm
Ft	3 mm	3 mm	3 mm	3 mm