

## Tile spacers – Height: 11 mm

### Function:

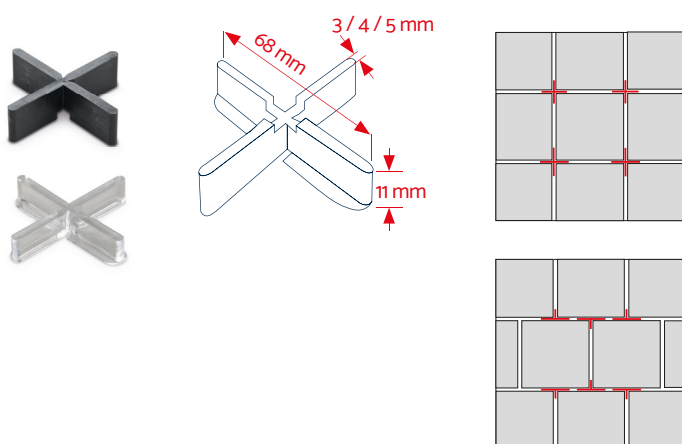
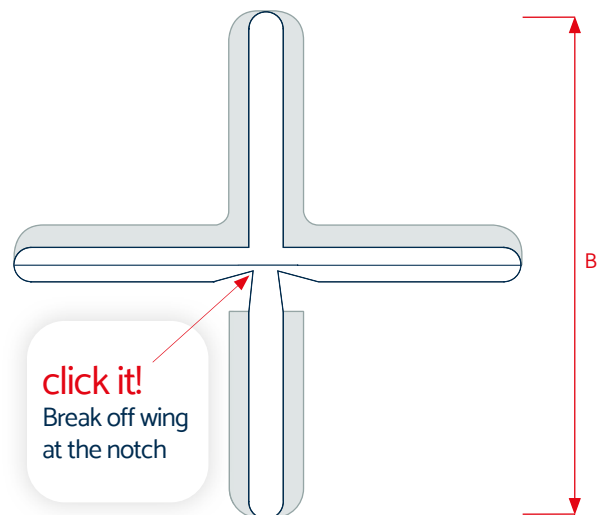
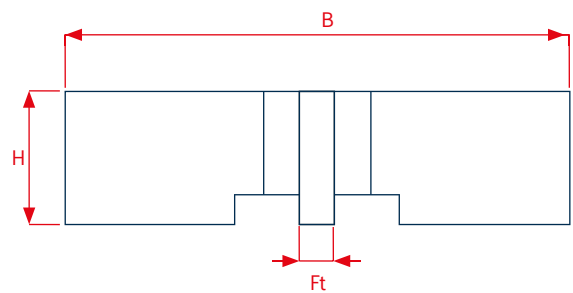
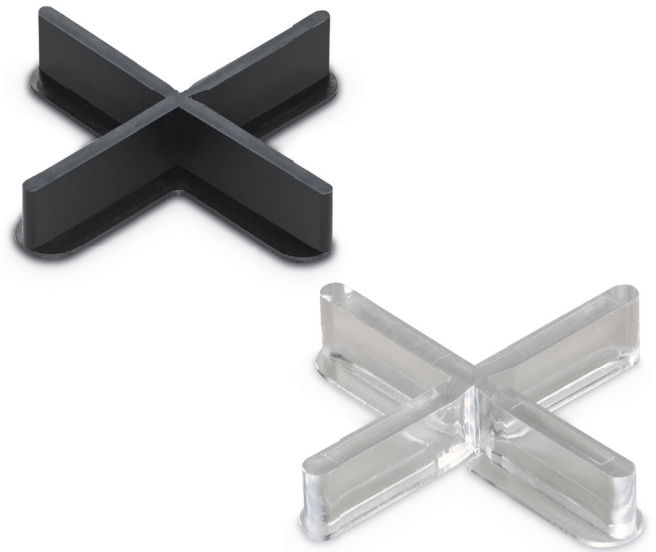
For laying ceramic slabs. The tile spacers are used to create durable joints that comply with regulations.

### Variants:

- Tile spacer, four-winged for joint widths 3, 4 and 5 mm
- One wing is easy to break off at the notch
- Universally usable with support pad
- Standard colour Black
- A transparent version is also available for particularly high-quality terraces
- Special colours available on request

### Packaging units:

Delivery in box, PU 300 pieces



Technical data	
B	68 mm
H	11 mm
Ft	3 / 4 / 5 mm