

## Weather protection cap for flat roof vents

### Function:

Weatherproof covering for vent pipes. Securing the ventilation pipe with the KALA weather protection cap stops snow and rain entering. The flow-favourable cross-section guarantees simple air exchange. The weather protection cap is simply pushed onto the vent pipe and pressed tight. The guide pins are designed to connect to DN 100 and DN 125 ventilation pipes. The design ensures the cap is securely held in place on the pipe.

### Material:

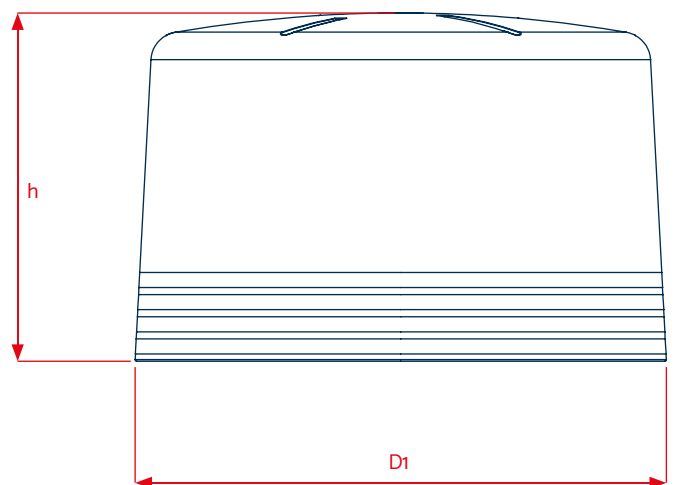
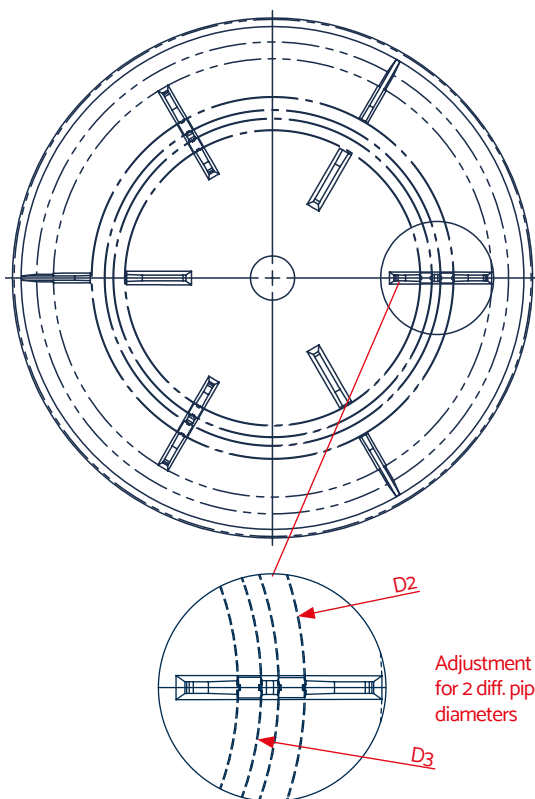
FPO/PP, impact resistant, weather-resistant, UV-stabilised

### Variants:

- Usable for D 75 mm (DN 70)<sup>2</sup>, D110 (DN 100), D 125 mm (DN 125)<sup>1-2</sup> and D 160 mm (DN 150)<sup>2</sup>
- Colour Black

### Packaging units:

Delivery in polybag, PU 1 piece



Technical data	
h	118 mm
D1	ø 180 mm
D2	ø 125 mm
D3	ø 110 mm

<sup>1</sup> **Attention:** Please note that technical dimensions and visual representations may differ from the illustration / <sup>2</sup> Further diameter sizes available on request.  
KALA - KUNSTSTOFFE | Karl-Heinz Lange GmbH+Co.KG reserves the right to make technical changes