

Drain Nexo Fix

Attention: The processing instructions of the roofing membrane manufacturers must be observed; Materials and material compounds used may be subject to changes

Function:

Moulded part for vertical drainage through the roof package. Can be installed with a connection to a pipe system for water drainage, or as an extension unit for a roof gully. Ensure appropriate backflow safety.

Installation:

Position the drain in the opening in the roof build-up; if used as an extension unit, connect to the gully below, align on the substrate and secure in position at four points on the substrate via the holes on the tray edge. Professionally weld the connection sleeve to the waterproofing membrane all around in accordance with the roofing membrane manufacturer's specifications.

Material:

Variants: PVC, FPO/PP and BIT for connection to the respective matching material variant of the roofing membrane. The base unit material is modified to be weather-resistant. UV-stabilised, resistant to heat degradation and oxidative ageing as well as cold impact resistant.

Available sizes²:

- D 50 mm (DN 50)
- D 75 mm (DN 70)
- D 90 mm
- D 95 mm
- D 110 mm (DN 100)
- D 125 mm (DN 125)
- D 160 mm (DN 150)

Packaging units:

Delivery in box, PU 1 piece

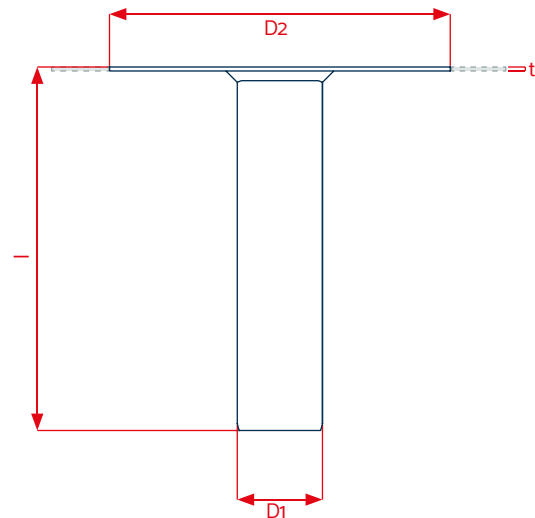
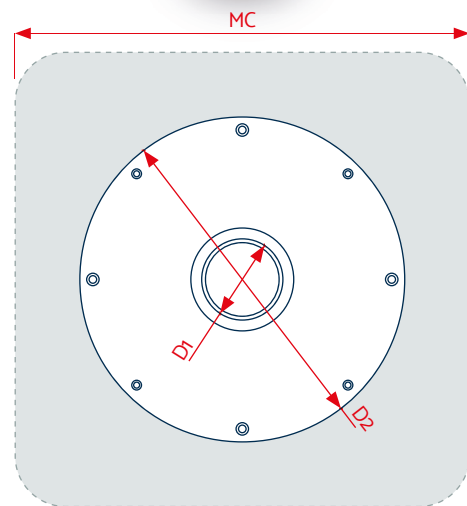
Accessories³:

- Gravel guard
- Lip seal

Drainage capacity:

LGA-certified performance data

Diameter	Attenuation depth	
	35 mm	65 mm
D 50 mm (DN 50)	3.70 l/s	n/a
D 75 mm (DN 70)	4.60 l/s	13.20 l/s
D 90 mm	5.30 l/s	14.60 l/s
D 110 mm (DN 100)	5.55 l/s	15.80 l/s
D 125 mm (DN 125)	5.55 l/s	16.00 l/s
D 160 mm (DN 150)	5.60 l/s	18.60 l/s



Technical data		
D1 (D Pipe)	50 / 75 mm	90 / 95 / 110 / 125 / 160 mm
D2 (D Plate)	300 mm	380 mm
l	320 mm ¹	320 mm ¹
t	35 mm	35 mm
Membrane connection (MC)	L 500 x B 500 mm	L 580 x B 580 mm

¹Special lengths available on request / ² Further diameter sizes available on request / ³ Also available with accumulation ring
 KALA - KUNSTSTOFFE | Karl-Heinz Lange GmbH+Co.KG reserves the right to make technical changes.