

Refurbishment gully

Attention: The processing instructions of the roofing membrane manufacturers must be observed; Materials and material compounds used may be subject to changes

Function:

The refurbishment gully, consisting of a base unit with a gravel guard and a lip seal, is the ideal solution for old gullies in roof packages that require refurbishment. The vertical pipe with the attached lip seal is inserted into the existing gully. The refurbishment gully's tray offers a secure connection for the waterproofing membrane.

Material:

Variants PVC, FPO/PP¹ and BIT for connection to the respective matching material variant of the roofing membrane. The materials are modified to be weather-resistant: UV-stabilised, resistant to heat degradation and oxidative ageing as well as cold impact resistant. Alternatively, it can be easily connected to the matching roofing membrane using a welded connection sleeve from the Nexo Fix product line.

Available sizes:

- D 50 mm (DN 50)
- D 75 mm (DN 70)
- D 95 mm
- D 110 mm (DN 100)
- D 125 mm (DN 125)
- D 160 mm (DN 150)

Packaging units:

Delivery in box, PU 1 piece

Drainage capacity:

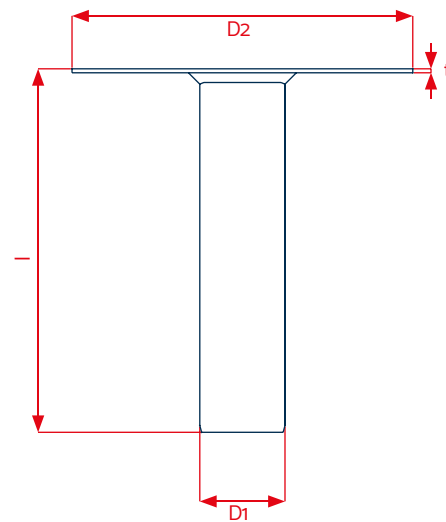
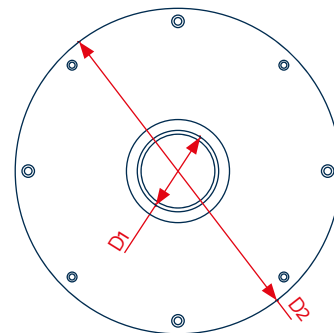
LGA-certified performance data

Diameter	Attenuation depth	
	35 mm	65 mm
D 50 mm (DN 50)	3.70 l/s	n/a
D 75 mm (DN 70)	4.60 l/s	13.20 l/s
D 110 mm (DN 100)	5.55 l/s	15.80 l/s
D 125 mm (DN 125)	5.55 l/s	16.00 l/s
D 160 mm (DN 150)	5.60 l/s	18.60 l/s

Lip seals	
Diameter	Backflow-proof area
ø 50 mm (DN 50)	61 to 77 mm
ø 75 mm (DN 70)	97 to 108 mm
ø 95 mm	100 to 130 mm
ø 110 mm (DN 100)	120 to 135 mm
ø 125 mm (DN 125)	152 to 160 mm
ø 160 mm (DN 150)	150 to 180 mm

¹Also available in PE (roofing membranes based on PE)

KALA - KUNSTSTOFFE | Karl-Heinz Lange GmbH+Co.KG reserves the right to make technical changes.



Technical data		
D1 (D Pipe)	50 / 75 mm	95 / 110 / 125 / 160 mm
D2 (D Plate)	300 mm	380 mm
l	320 / 600 mm ¹	320 / 600 mm ¹
t	3.5 mm	3.5 mm
Bitumen connection sleeve	L 500 x B 500 mm	