

Rectangular scupper Nexo Fix

Attention: The processing instructions of the roofing membrane manufacturers must be observed; Materials and material compounds used may be subject to changes

Function:

Moulded part for horizontal drainage or emergency drainage through the parapet. When installing, the exact installation point must be chosen depending on the water height.

Installation:

Push the scupper through the horizontal opening in the parapet and align it with the substrate. Secure it in position at four points on the substrate using the holes in the edge of the tray. Professionally weld the connection sleeve to the waterproofing membrane all around in accordance with the roofing membrane manufacturer's specifications.

Material:

Variants: PVC, FPO/PP and BIT for connection to the respective matching material variant of the roofing membrane. The base unit material is modified to be weather-resistant. UV-stabilised, resistant to heat degradation and oxidative ageing as well as cold impact resistant.

Available sizes (W x H – inner dimensions)¹:

- 120 x 60 mm • 300 x 80 mm • 500 x 100 mm • 750 x 100 mm
- 180 x 80 mm • 300 x 100 mm • 600 x 100 mm • 1000 x 100 mm

Available lengths (l):

- 300 mm • 600 mm

Colours (base unit):

- PVC similar to RAL 7047, Telegrey 4
 - FPO/PP similar to RAL 7044, Silk Grey
- Roofing membrane colours are determined by the respective manufacturer

Packaging units:

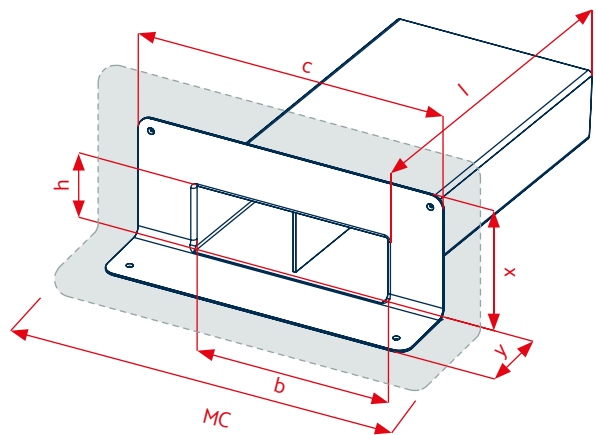
Delivery in box, PU 1 piece

Accessories²:

- Vapour barrier sheet

Technical data					
Channel = W x H	b	h	c	x	y
120 x 60 mm	120 mm	60 mm	300 mm	150 mm	90 mm
180 x 80 mm	180 mm	80 mm	360 mm	170 mm	90 mm
300 x 80 mm	300 mm	80 mm	480 mm	170 mm	90 mm
300 x 100 mm	300 mm	100 mm	480 mm	190 mm	90 mm
500 x 100 mm	500 mm	100 mm	680 mm	190 mm	90 mm
600 x 100 mm	600 mm	100 mm	780 mm	190 mm	90 mm

Pipe inclination each 5°



Membrane connection (MC)						
Dimensions (L x W)	440 x 500 mm	460 x 560 mm	460 x 680 mm	480 x 680 mm	460 x 880 mm	480 x 980 mm
Dimensions for	120 x 60 x 300/600 mm	180 x 80 x 300/600 mm	300 x 80 x 300/600 mm	300 x 100 x 300/600 mm	500 x 100 x 300/600 mm	600 x 100 x 300/600 mm

Drainage capacity:

LGA-certified performance data

Channel = W x H ¹	Attenuation depth	
	35 mm	65 mm
120 x 60 mm	1.30 l/s	3.50 l/s
180 x 80 mm	1.90 l/s	5.00 l/s
300 x 80 mm	3.00 l/s	7.80 l/s
300 x 100 mm	3.00 l/s	7.80 l/s
500 x 100 mm	5.50 l/s	13.40 l/s
600 x 100 mm	5.80 l/s	n/a
750 x 100 mm	7.50 l/s	19.20 l/s
1000 x 100 mm	12.60 l/s	29.40 l/s

¹Special sizes available on request / ² Also available with accumulation ring
 KALA – KUNSTSTOFFE | Karl-Heinz Lange GmbH+Co.KG reserves the right to make technical changes.