

# Emergency overflow

**Attention:** The processing instructions of the roofing membrane manufacturers must be observed; Materials and material compounds used may be subject to changes

**Function:**

Moulded part for horizontal emergency drainage through the parapet. Can be installed with a connection to a pipe system for water drainage or free discharge. During installation, the exact installation point must be chosen depending on the water height.

**Material:**

Variants PVC, FPO/PP<sup>2</sup> and BIT for connection to the respective matching material variant of the roofing membrane. The materials are modified to be weather-resistant: UV-stabilised against heat degradation and oxidative ageing as well as cold impact resistant.

**Available sizes:**

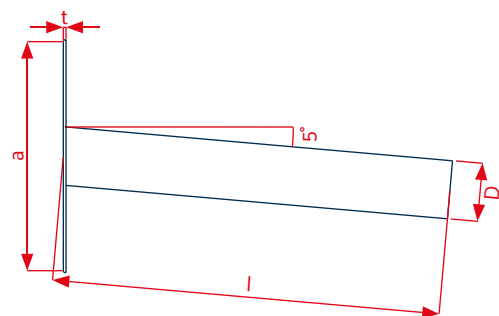
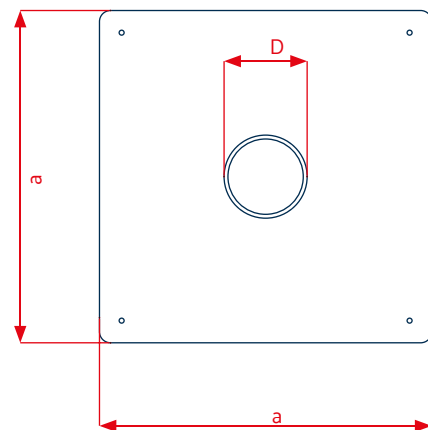
- D 50 mm (DN 50)
- D 63 mm
- D 75 mm (DN 70)
- D 110 mm (DN 100)
- D 125 mm (DN 125)

**Packaging units:**

Delivery in box, PU 1 piece

**Accessories:**

- Vapour barrier sheet



**Drainage capacity:**

LGA-certified performance data

Diameter	Attenuation depth	
	35 mm	65 mm
D 50 mm (DN 50)	0.51 l/s	1.31 l/s
D 75 mm (DN 70)	0.65 l/s	1.65 l/s
D 110 mm (DN 100)	1.00 l/s	2.65 l/s
D 125 mm (DN 125)	1.00 l/s	2.80 l/s

Technical data	
D	50 / 63 / 75 / 110 / 125 mm
a	300 mm
l	490 mm <sup>1</sup>
t	3.0 mm
Pipe inclination 5 °	

<sup>1</sup>Special lengths available on request / <sup>2</sup>Also available in PE (roofing membranes based on PE)  
 KALA - KUNSTSTOFFE | Karl-Heinz Lange GmbH+Co.KG reserves the right to make technical changes.