

Emergency overflow Nexo Fix

Attention: The processing instructions of the roofing membrane manufacturers must be observed; Materials and material compounds used may be subject to changes

Function:

Moulded part for horizontal emergency drainage through the parapet. Can be installed with a connection to a pipe system for water drainage or free discharge. During installation, the exact installation point must be chosen depending on the water height.

Installation:

Push the emergency overflow through the horizontal opening in the parapet, align on the substrate and secure it in position at four points on the substrate using the holes provided on the edge of the tray. Professionally weld the connection sleeve to the waterproofing membrane all around in accordance with the roofing membrane manufacturer's specifications.

Material:

Variants: PVC, FPO/PP and BIT for connection to the respective matching material variant of the roofing membrane. The base unit material is modified to be weather-resistant. UV-stabilised, resistant to heat degradation and oxidative ageing as well as cold impact resistant.

Available sizes:

- D 50 mm (DN 50)
- D 63 mm
- D 75 mm (DN 70)
- D 110 mm (DN 100)
- D 125 mm (DN 125)

Packaging units:

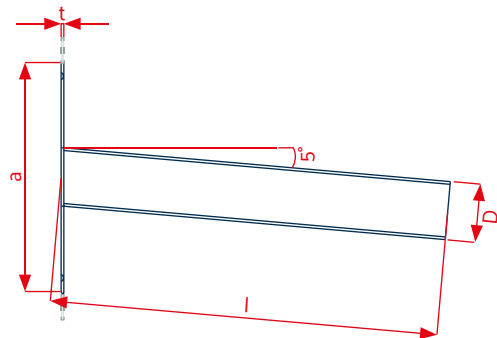
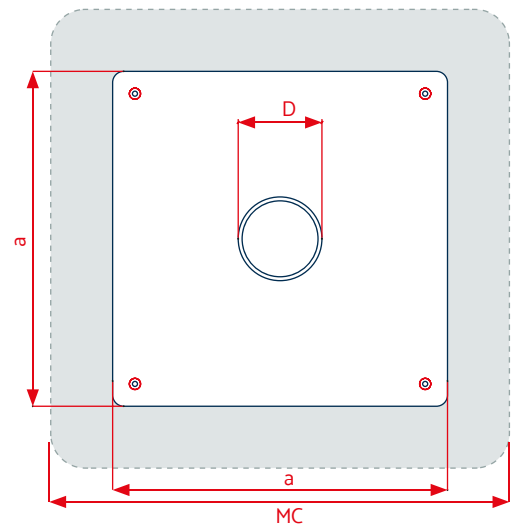
Delivery in box, PU 1 piece

Accessories:

- Vapour barrier sheet

Drainage capacity:

LGA-certified performance data



Diameter	Attenuation depth	
	35 mm	65 mm
D 50 mm (DN 50)	0.51 l/s	1.31 l/s
D 75 mm (DN 70)	0.65 l/s	1.65 l/s
D 110 mm (DN 100)	1.00 l/s	2.65 l/s
D 125 mm (DN 125)	1.00 l/s	2.80 l/s

Technical data	
D	50 / 63 / 75 / 110 / 125 mm
a	300 mm
l	490 ¹ mm
t	3.0 mm
Membrane connection (MC)	L 500 x B 500 mm
Pipe inclination 5 °	

¹Special lengths available on request
 KALA - KUNSTSTOFFE | Karl-Heinz Lange GmbH+Co.KG reserves the right to make technical changes.