

Rectangular emergency overflow BIT

Attention: The processing instructions of the roofing membrane manufacturers must be observed; Materials and material compounds used may be subject to changes

Function:

Moulded part for horizontal drainage or emergency drainage through the parapet. When installing, the exact installation point must be chosen depending on the water height.

Material:

BIT - Version with weather-stably modified base unit and laminated bitumen connection sleeve. A stainless steel flange connection is used to secure the VaporBase. The base unit has been modified to make it weather-resistant. UV-stabilised, resistant to heat degradation and oxidative ageing as well as cold impact resistant. With a thickness of 4 mm, the connection sleeve consists of talc-coated elastomer bitumen with an integrated carrier insert, making it ideal for forming a reliable connection with bitumen roofing membranes.

Available sizes (W x H - inner dimensions):

- 120 x 60 mm
- 180 x 80 mm
- 300 x 100 mm
- 500 x 100 mm

Available lengths (l) ¹:

- 300 mm
- 600 mm

Colour:

- Black

Packaging units:

Delivery in box, PU 1 piece

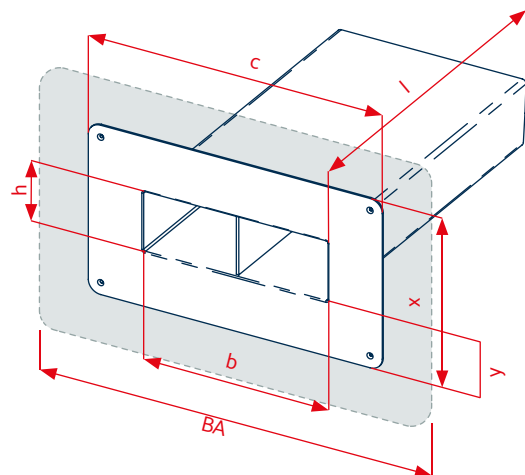
Accessories:

- Vapour barrier sheet

Drainage capacity:

LGA-certified performance data

Channel = W x H ¹	Attenuation depth	
	35 mm	65 mm
120 x 60 mm	1.30 l/s	3.50 l/s
180 x 80 mm	1.90 l/s	5.00 l/s
300 x 100 mm	3.00 l/s	7.80 l/s
500 x 100 mm	5.50 l/s	13.40 l/s



Bitumen connection (BC)	
Dimensions for	Dimensions (L x W)
120 x 60 mm	520 x 460 mm
180 x 80 mm	580 x 480 mm
300 x 100 mm	700 x 500 mm
500 x 100 mm	900 x 500 mm

Technical data					
Channel = W x H ¹	b	h	c	x	y
120 x 60 mm	120 mm	60 mm	308 mm	248 mm	93 mm
180 x 80 mm	180 mm	80 mm	368 mm	268 mm	93 mm
300 x 100 mm	300 mm	100 mm	488 mm	288 mm	93 mm
500 x 100 mm	500 mm	100 mm	688 mm	288 mm	93 mm

Pipe inclination each 5°

¹Special lengths available on request. KALA - KUNSTSTOFFE | Karl-Heinz Lange GmbH+Co.KG reserves the right to make technical changes.