

Overflow MultiFlex

Attention: The processing instructions of the roofing membrane manufacturers must be observed; Special designs and non-standard lengths available on request; Not compliant with the rules. Each individual application case must be checked. Responsibility lies with the planning and installation company.

Function:

The special moulded part is designed for horizontal or emergency rainwater drainage through the parapet. The installation location must be carefully determined according to the expected water height. Directly connecting the connection sleeve to the pipe allows for high flexibility during installation, especially during refurbishment or in complex installation situations. This is a non-standard special component.

Installation ³:

Special care is required during installation to ensure the pipe section is fixed in the correct position within the parapet and the connection sleeve is professionally welded to the roof waterproofing.

Material:

There are PVC, BIT and EPDM variants ⁴, each with a matching connection sleeve that allows for simple, secure connection to the corresponding roofing membrane. The pipes are weather- and UV-resistant, making them suitable for permanent outdoor use. The EPDM connection is self-adhesive, making it easy to attach to the corresponding roofing membrane. The weather- and UV-resistant pipe material makes it suitable for permanent outdoor use.

Available sizes ^{1,2}:

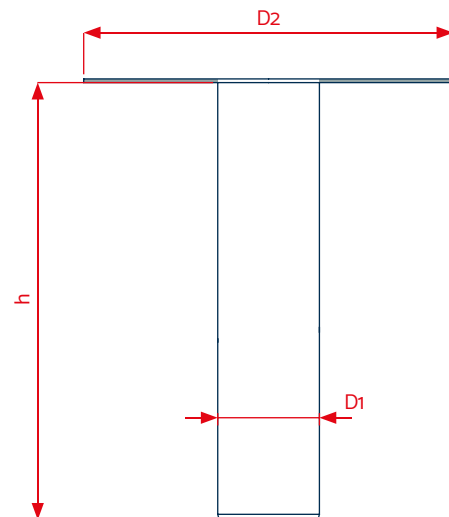
- D 50 mm (DN 50)
- D 75 mm (DN 70)
- D 110 mm (DN 100)

Packaging units:

Delivery in box, PU 1 piece

Accessories:

- Gravel guard Vario Fix
- Gravel guard classic



Technical data			
h	600 mm		
D1 (D Pipe)	D 50 mm (DN 50) / D 75 mm (DN 70) / D 110 mm (DN 100)		
D2 (D Flange)	BIT, D 400 mm	PVC, 320 x 320 mm	EPDM, 290 x 290 mm

¹Special lengths available on request / ² Further diameter sizes available on request / ³ Installation not compliant with the standards. Delivery not covered by warranty or guarantee / ⁴Roofing membrane information: When stored properly, shelf life is approx. 24 months (possibly shorter at higher temperatures). All details are non-binding guidelines and depend on storage and handling. KALA – KUNSTSTOFFE | Karl-Heinz Lange GmbH+Co.KG reserves the right to make technical changes.