

Cold roof vent Nexo Fix with weather protection cap

Attention: The processing instructions of the roofing membrane manufacturers must be observed; Materials and material compounds used may be subject to changes

Function:

- Ventilation of roof constructions
- For a moisture-saturated roof package for moisture removal and drying out

Installation:

Align the fan on the substrate and secure it in position at four points on the substrate using the holes provided on the edge of the tray. Professionally weld the connection sleeve to the waterproofing membrane all around in accordance with the roofing membrane manufacturer's specifications.

Material:

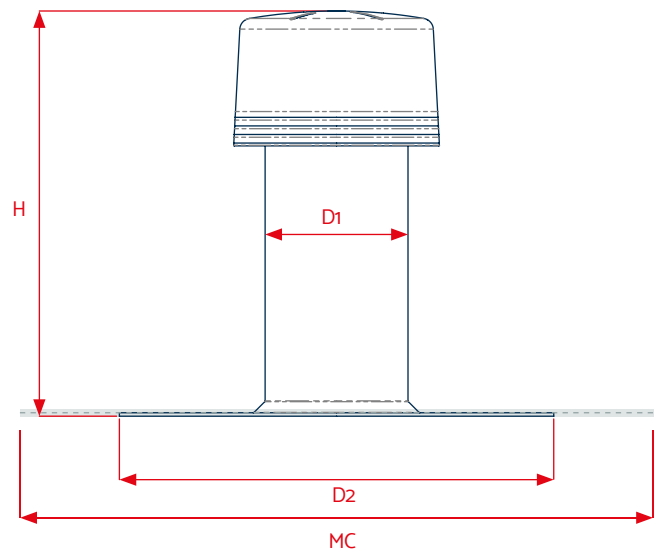
Variants: PVC, FPO/PP and BIT for connection to the respective matching material variant of the roofing membrane. The base unit material is modified to be weather-resistant. UV-stabilised, resistant to heat degradation and oxidative ageing as well as cold impact resistant.

Available sizes:

- D 75 mm (DN 70)
- D 110 mm (DN 100)
- D 125 mm (DN 125)
- D 160 mm (DN 150)

Packaging units:

Delivery in box, PU 1 piece



Technical data	
H	354 mm ¹
D1 (D Pipe)	D 75 mm (DN 70) / D 110 mm (DN 100) / D 125 mm (DN 125) / D 160 mm (DN 150)
D2 (D Plate)	D 75 mm (DN 70) = 300 mm D 110 mm (DN 100) to D 160 mm (DN 150) = 380 mm
Membrane connection (MC)	D 75 mm (DN 70) L 500 x B 500 mm
Membrane connection (MC)	D 110 mm (DN 100) to D 160 mm (DN 150) L 580 x B 580 mm

¹Special lengths available on request. KALA - KUNSTSTOFFE | Karl-Heinz Lange GmbH+Co.KG reserves the right to make technical changes.