

Cold roof power vent Nexo Fix²

Attention: The processing instructions of the roofing membrane manufacturers must be observed; Materials and material compounds used may be subject to changes

Function:

- Moisture removal, forced ventilation of roof constructions
- For a moisture-saturated roof package for moisture removal and drying out

With this variant, a maintenance-free suction fan driven by wind (achieving very high airflow) is placed on the base unit. The vent is driving rain and snow proof, is supplied completely ready for installation and can be welded directly to the roofing membrane.

Installation:

Align the fan on the substrate and secure it in position at four points on the substrate using the holes provided on the edge of the tray. Professionally weld the connection sleeve to the waterproofing membrane all around in accordance with the roofing membrane manufacturer's specifications.

Material:

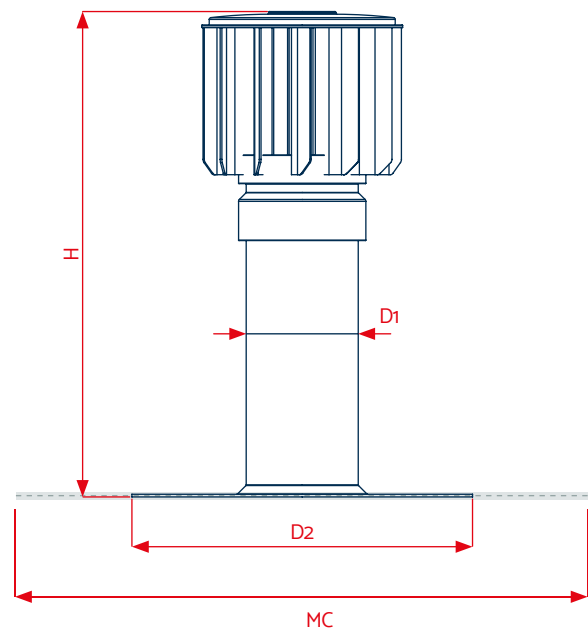
Variants: PVC, FPO/PP and BIT for connection to the respective matching material variant of the roofing membrane. The base unit material is modified to be weather-resistant. UV-stabilised, resistant to heat degradation and oxidative ageing as well as cold impact resistant. The suction fan attachment is made of high-quality plastic.

Available sizes:

- D 125 mm (DN 125)
- D 160 mm (DN 150)

Packaging units:

Delivery in box, PU 1 piece



Technical data		
H	535 mm ¹	
D1 (D Pipe)	D 125 mm (DN 125) / D 160 mm (DN 150)	
D2 (D Plate)	380 mm	
Membrane connection (MC)	D 125 mm (DN 125) to D 160 mm (DN 150)	L 570 x B 570 mm

¹Special lengths available on request / ²Also available as a version for warm roofs
 KALA - KUNSTSTOFFE | Karl-Heinz Lange GmbH+Co.KG reserves the right to make technical changes.