

Base element VaporBase

Attention: The processing instructions of the roofing membrane manufacturers must be observed; Materials and material compounds used may be subject to changes

Function:

Moulded for vertical ventilation through the roof package. Installation on the vapour barrier level. Variants are available in bitumen and foil for connection to the vapour barrier, as well as a classic version for liquid-applied waterproofing coatings.

Material:

The bitumen or foil connection sleeve offers a secure and light connection to the respective vapour control layer. It is available in pipe diameters in standard DN sizes for a secure connection to the underlying ventilation pipe. For a professional connection, insert the lower pipe end of the stack vent installed on the waterproofing level into the connection socket of the VaporBase.

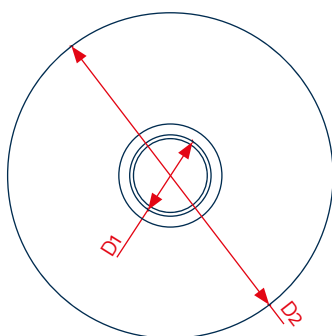
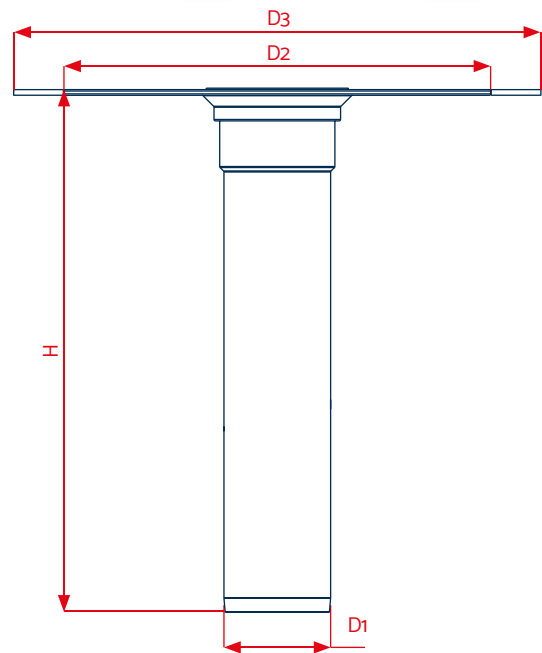
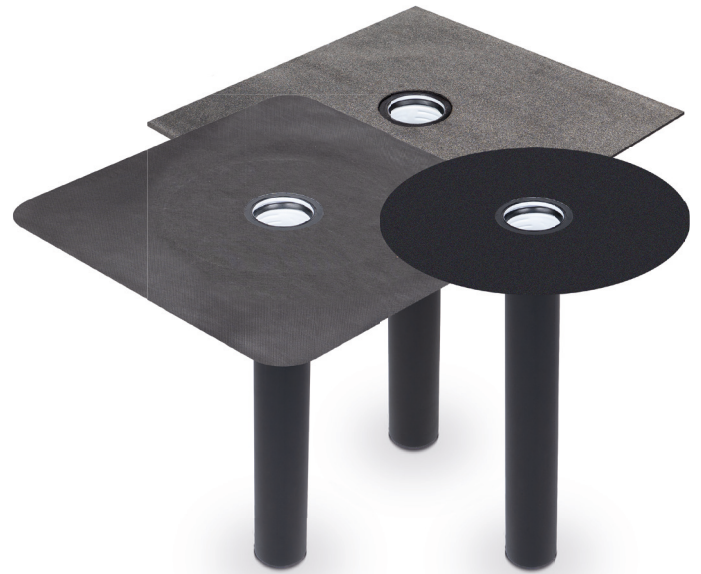
The component is not UV-resistant.

Available sizes:

- D 75 mm (DN 70)
- D 110 mm (DN 100)
- D 125 mm (DN 125)
- D 160 mm (DN 150)

Packaging units:

Delivery in box, PU 1 piece



Technical data	
H	500 mm ¹
D1 (D Pipe)	D 75 mm (DN 70) / D 110 mm (DN 100) / D 125 mm (DN 125) / D 160 mm (DN 150)
D2 (D Plate) • D 75 mm (DN 70)	300 mm
D2 (D Plate) • D 110 mm (DN 100) • D 125 mm (DN 125) • D 160 mm (DN 150)	380 mm
D3 BIT version	500 x 500 mm
D3 Foil version	500 x 500 mm

¹Special lengths available on request
KALA - KUNSTSTOFFE | Karl-Heinz Lange GmbH+Co.KG reserves the right to make technical changes.