

## Gravel guard Vario Fix continuously adjustable for scuppers

### Function:

Moulded part that attaches to the scupper. Serves to retain coarse dirt particles and prevent clogging of the waste water system. The flow-optimised geometry ensures low loss values and high flow throughput, even during heavy rain.

### Installation:

The product is ready for installation. Position the gravel guard centrally on the scupper, press the locking button down and turn to the right to lock. The expansion can be continuously adjusted to fit the diameter of the scupper using the turning mechanism. To remove it later, simply turn the rotary knob to the left again to unlock it and pull it out. The expansion grip can then be pressed together again.

### Material:

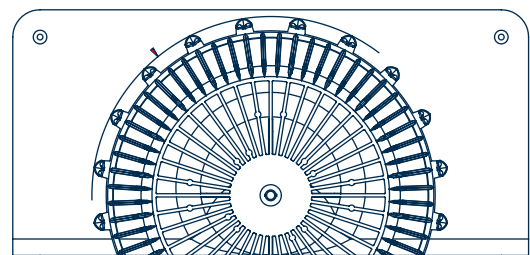
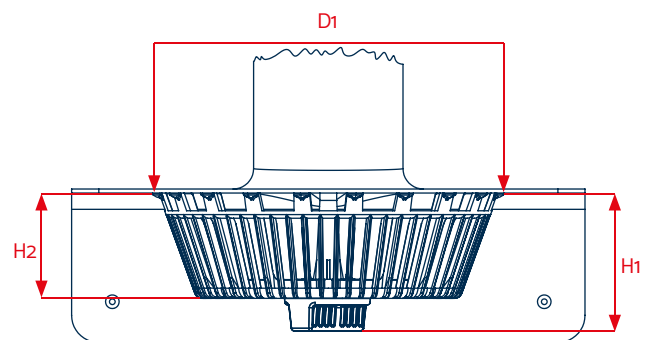
- PE Black
- Cold impact resistant, weather-resistant, UV-stabilised

### Available sizes:

- For all diameters from D 50 mm (DN 50) to D 125 mm (DN 125)
- Please specify the desired size when ordering

### Packaging units:

Delivery in box, PU 10 pieces



| Technical data |         |
|----------------|---------|
| H1             | 95 mm   |
| H2             | 77.5 mm |
| D1             | 262 mm  |