

## Gravel guard classic with centring cross for scuppers

**Function:**

Moulded part that attaches to the scupper. Serves to retain coarse dirt particles and prevent clogging of the waste water system. The flow-optimised geometry ensures low loss values and high flow throughput, even during heavy rain.

**Installation:**

Simply plug in – the centring cross for fastening the gravel guard is already cut to size.

**Material:**

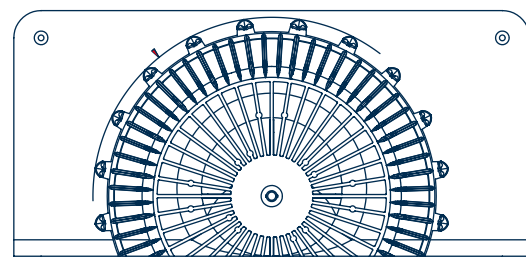
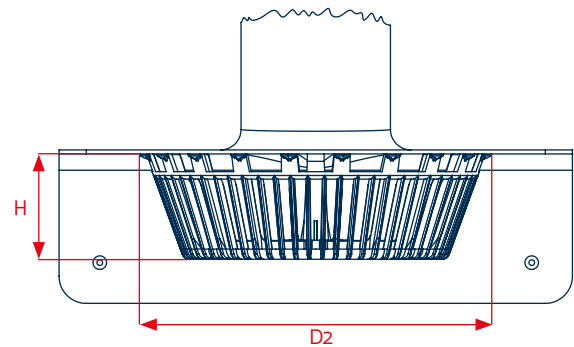
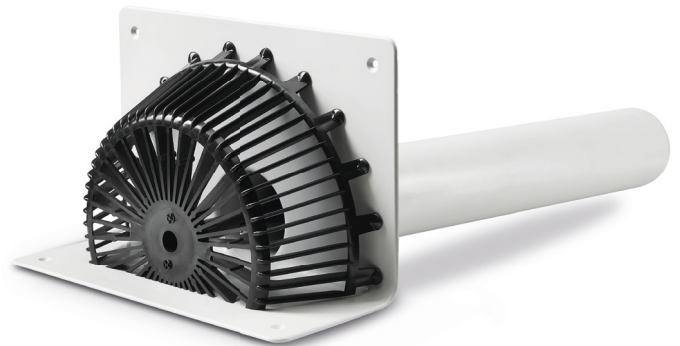
- PE Black
- Cold impact resistant, weather-resistant, UV-stabilised

**Available sizes:**

- For all diameters from D 50 mm (DN 50) to D 125 mm (DN 125)
- Please specify the desired size when ordering

**Packaging units:**

Delivery in box, PU 10 pieces



Technical data	
H	77.5 mm
D2	262 mm

KALA - KUNSTSTOFFE | Karl-Heinz Lange GmbH+Co.KG reserves the right to make technical changes.