

Gravel frame for roof drains

Function:

The gravel frame for roof drains reliably holds back coarse dirt in gravel and other ballast layers, preventing accumulation at the gully. Even with large amounts of dirt, the gravel frame ensures the gully remains functional.

Installation:

Place the gravel frame for roof drains centrally over the drainage point above the drain. The gravel guard is then inserted into the opening and clamped tightly in place. Finally, gravel is pushed against the frame on all sides to fix its position.

Material:

PVC Light Grey, cold impact resistant, weather-resistant

Delivery unit:

Gravel frame for roof drains welded construction, ready for installation, without gravel guard

Variants:

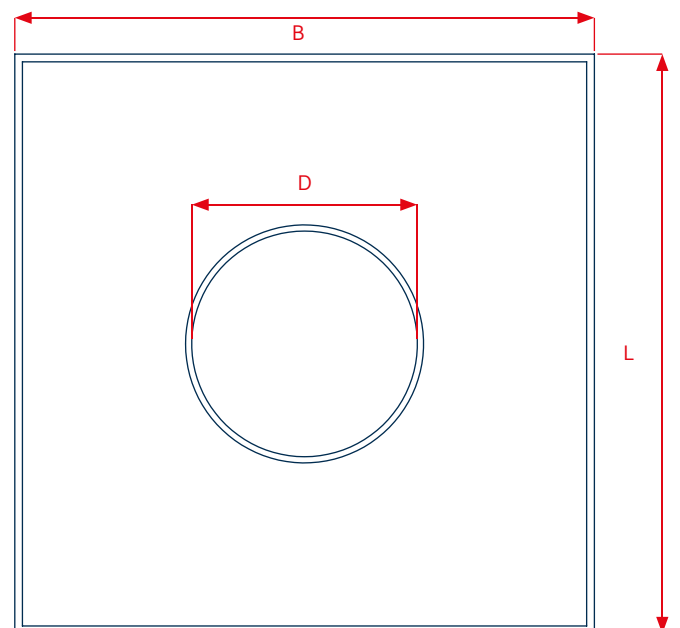
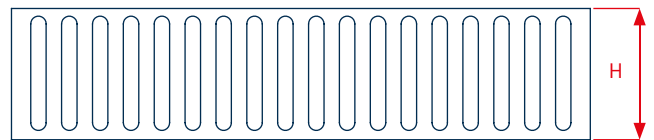
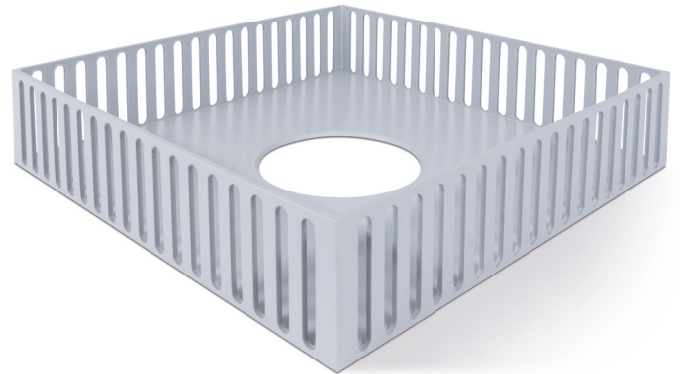
Universal size; deviating dimensions available on customer request

Packaging units:

Delivery in box, PU 1 piece

Accessories:

- Gravel guard Vario Fix
- Gravel guard classic



| Technical data | |
|----------------|--------|
| L | 380 mm |
| B | 380 mm |
| H | 84 mm |
| D | 130 mm |

KALA - KUNSTSTOFFE | Karl-Heinz Lange GmbH+Co.KG reserves the right to make technical changes.