

# Tile spacers

## Data sheet

# KALA®

Progress  
Through Skills

### Function:

Tile spacers for laying slabs on a bed of gravel or chips. The tile spacers are used to create permanent joints of the prescribed size.

### Options:

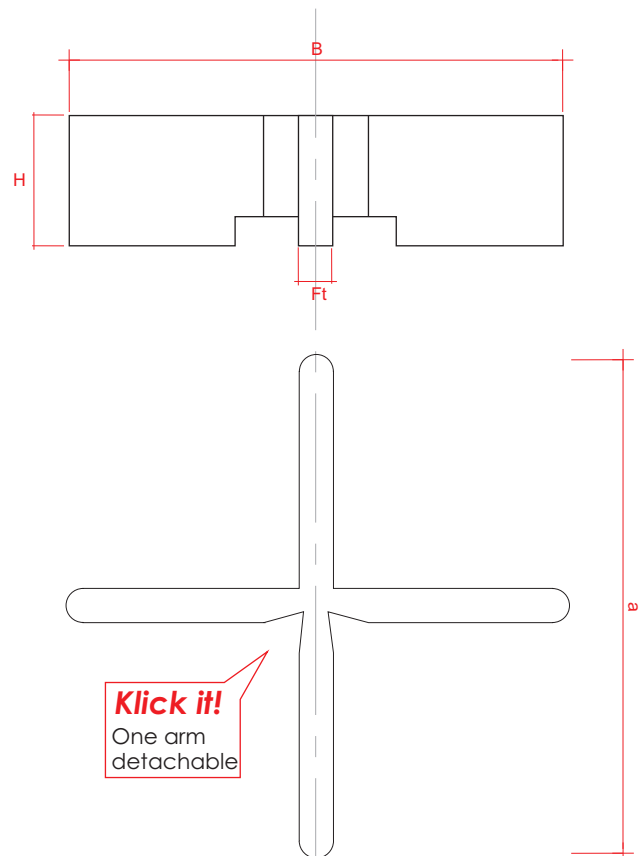
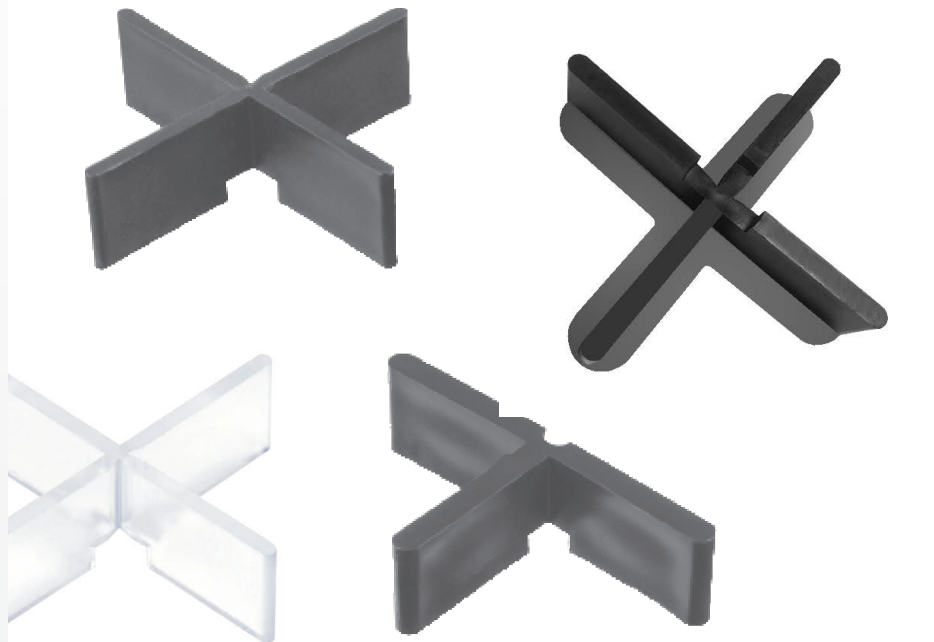
Joint width 3, 4, 5 and 10mm. Available as four-armed (one arm detachable) and three-armed option.

Tile spacers for ceramic tiles modified with support (thickness 4 mm).

Standard colour black; for first-class patios we recommend our transparent tile spacers. Special colours on request.

### Packing:

PE plastic bag



Custom-made products cannot be exchanged.

For further information please call your KALA technical advisor.

KALA, K.-H. Lange GmbH+Co. KG reserves the right to any change as may be technically or legally required without prior notice.

Last update: February 2018

Tile spacers		
B	68	mm
H	18	
Ft	3,4,5,10	