

# Ventilator for shingle roofs

## Data sheet

# KALA<sup>®</sup>

Progress  
Through Skills

### Function:

Ventilation of the intermediate roof spaces in the case of shingle roofs using bitumen shingles. The flexible outlet vent connection, which can be provided as an accessory, allows the element to be used as an outlet vent. This preserves the uniform appearance of the roof contours.

### Options:

Can be supplied in brown and black as standard colours, as well as in grey, green or red as special colours. Further colours on request

### Dimensions:

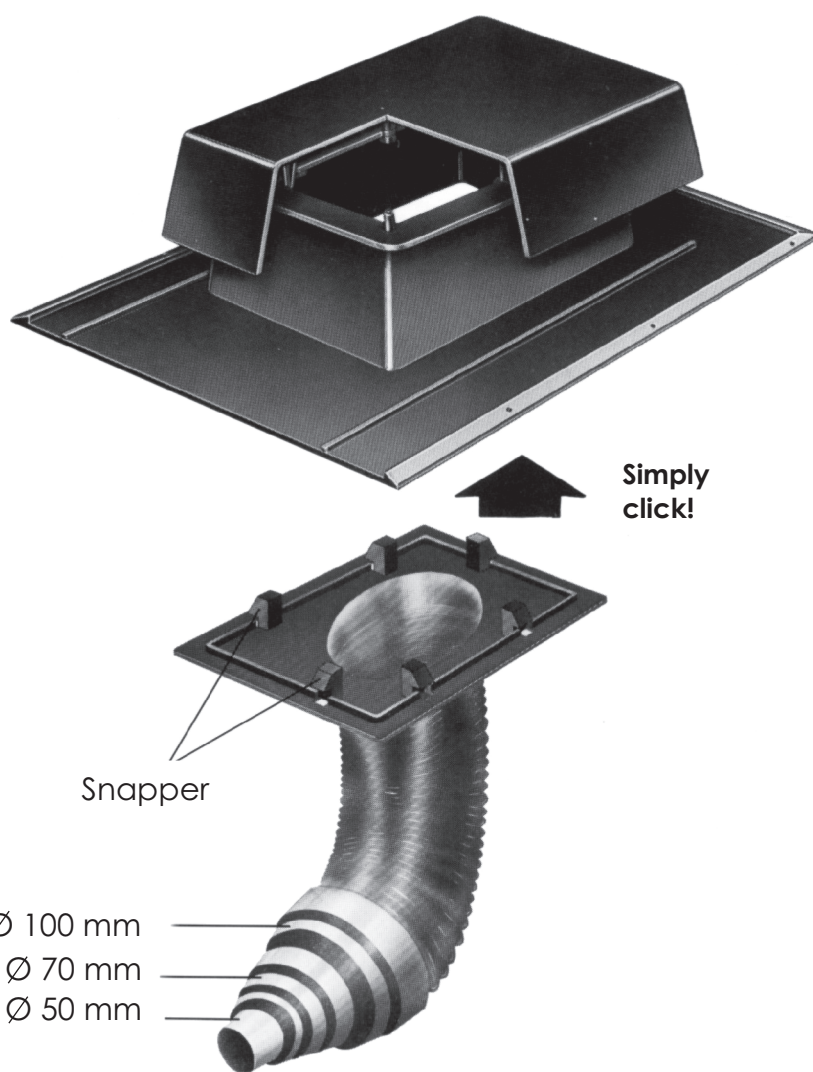
Base  
Length 410 mm  
Width 325 mm  
Upper part  
Length 300 mm  
Width 195 mm

### Packing:

packed in box;  
packing unit = 10 pieces

### Accessories:

Connection for outlet vent



Connection for outlet vent as accessory

The installation specifications of the roof sheeting manufacturers must be adhered to; the materials and material compounds used are subject to change; where necessary, further tests are to be carried out.

Custom-made products cannot be exchanged.

For further information please call your KALA technical advisor.

KALA, K.-H. Lange GmbH+Co. KG reserves the right to any change as may be technically or legally required without prior notice.

Last update: February 2018