

# Cross spacers height: 18 mm

## Function:

For laying slabs in a gravel/grit bed.

The tile spacers serve as spacers for forming permanent joints in accordance with the regulations.

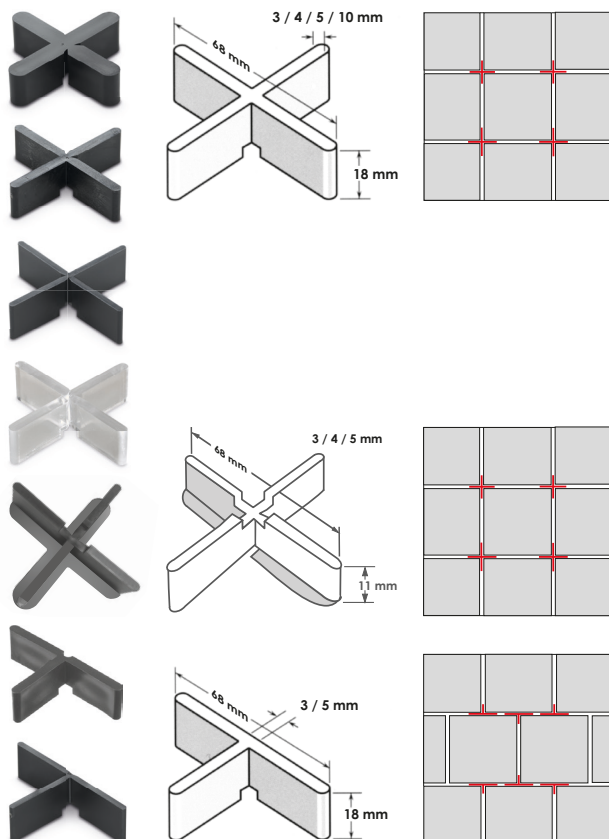
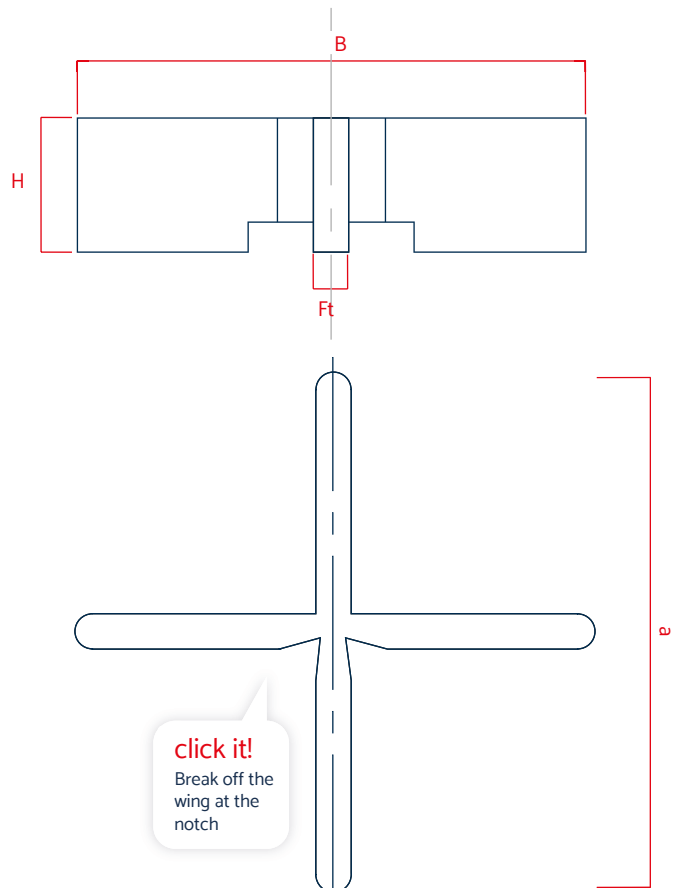
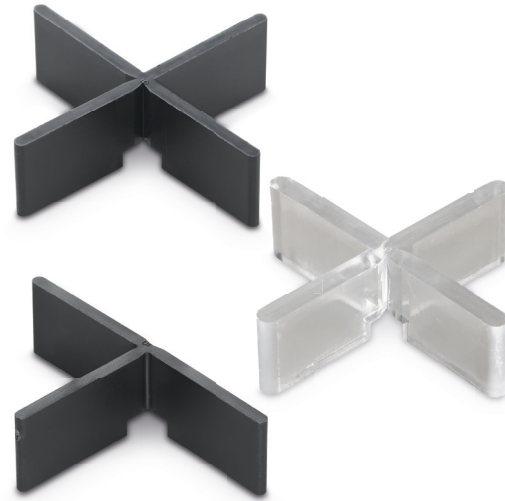
The three-armed tile spacers mean you can lay flooring cleanly in a bond or at the edge.

## Versions:

- Joint widths 3, 4, 5 and 10 mm
- An arm can be easily broken off at the notch
- Tile spacer with three wings (T-cross) for 3 and 5 mm joint widths
- Default color black
- A transparent model is also available for ultra high-end patios
- Special colors available on request

## Package units:

Supplied in cartons, PU 300 units



| Technical data |                |    |
|----------------|----------------|----|
| B              | 68             | mm |
| H              | 18             |    |
| Ft             | 3 / 4 / 5 / 10 |    |

KALA - KUNSTSTOFFE | Karl-Heinz Lange GmbH+Co.KG reserves the right to make technical changes.