

Drains

Function:

Structural part for vertical drainage through the roof system.
Connect to a pipe system for water drainage or install as an extension element for a roof gully. It's important to ensure that adequate backwater protection is installed.

Material⁵:

Our drains are available in PVC, FPO/PP² and BIT for connection to the matching material used for the roof membrane. The materials are modified to be weather-resistant: UV-stabilised, against heat degradation and oxidative ageing as well as resistant to cold impact.

Available sizes³:

- D 50 mm (DN 50)
- D 75 mm (DN 70)
- D 90 mm
- D 95 mm
- D 110 mm (DN 100)
- D 125 mm (DN 125)
- D 160 mm (DN 150)

Package units:

Supplied in cartons, PU 1 unit

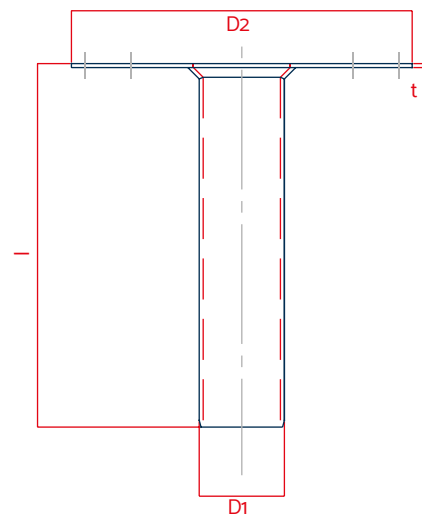
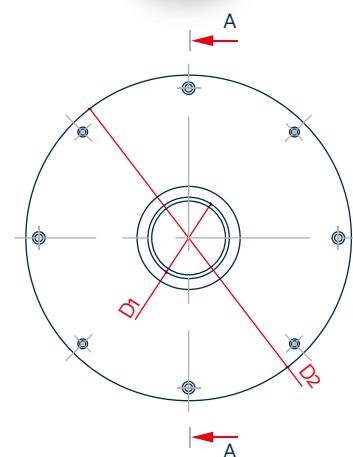
Accessories:

- Gravel basket Classic for drains
- Gravel basket Vario Fix for drains
- Lip seal for pipe connections
- Roll Ring⁴

Drainage performance litre/sec.:

LGA-certified characteristics

Diameter	Accumulation height	
	35 mm	65 mm
D 50 mm (DN 50)	3,70	N/A
D 75 mm (DN 70)	4,60	13,20
D 90 mm	5,30	14,60
D 110 mm (DN 100)	5,55	15,80
D 125 mm (DN 125)	5,55	16,00
D 160 mm (DN 150)	5,60	18,60



Technical data			
D1	50 / 56 / 63 / 75	90 / 95 / 110 / 125 / 160	mm
D2	300	380	
l	320 ¹	320 ¹	
t	3,5	3,5	

¹Special lengths available on request / ²also available in PE (roofing membranes based on PE) / ³other diameter sizes available upon request / ⁴**Attention:** We would like to point out that installation with a rolling ring does not conform to the standards. Backflow security is not guaranteed / ⁵**Attention:** The processing instructions of the roofing membrane manufacturer must be adhered to; Materials and used material compounds may be subject to change. KALA - KUNSTSTOFFE | Karl-Heinz Lange GmbH+Co.KG reserves the right to make technical changes.