

Drains Nexo Fix

Function:

Molding for vertical drainage through the roof package. Installation with connection to a pipe system for water drainage or as an extension element for a roof drain.

Pay attention to appropriate backflow protection.

Installation:

Position the drains in the opening in the roof structure, if used as an extension element, connect them to the gully underneath, align them with the subsurface and fasten them securely at four points in the subsurface using the holes on the edge of the tray. Weld the connection sleeve to the waterproofing membrane all around professionally and in accordance with the roofing membrane manufacturer's specifications.

Material:

Versions PVC and FPO/PP with welded connection sleeve for easy connection to the appropriate roofing membrane. The material of the ground body is weatherproof modified: UV-stabilized, against heat degradation and oxidative aging as well as cold impact resistant.

Available sizes 2:

- D 50 mm (DN 50)
- D 75 mm (DN 70)
- D 90 mm
- D 95 mm
- D 110 mm (DN 100)
- D 125 mm (DN 125)
- D 160 mm (DN 150)

Package units:

Supplied in cartons, PU 1 unit

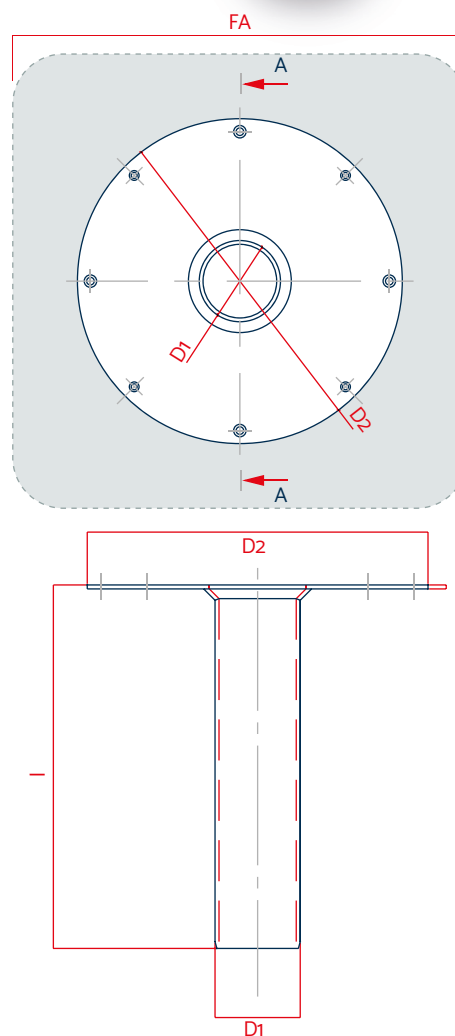
Accessories:

Gravel basket Vario Fix for drains, gravel basket Classic for drains, lip seal, Roll Ring³

Drainage performance litre/sec.:

LGA-certified characteristics

Diameter	Accumulation height	
	35 mm	65 mm
D 50 mm (DN 50)	3,70	N/A
D 75 mm (DN 70)	4,60	13,20
D 90 mm	5,30	14,60
D 110 mm (DN 100)	5,55	15,80
D 125 mm (DN 125)	5,55	16,00
D 160 mm (DN 150)	5,60	18,60



Technical data			
D1	50 / 75	90 / 95 / 110 / 125 / 160	mm
D2	300	380	
l	320 ¹	320 ¹	
t	3,5	3,5	
Foil connection (FA)	D 50 up to D 75	L 500 x B 500	
Foil connection (FA)	D 90 up to D 160	L 580 x B 580	

¹Special lengths available on request / ²other diameter sizes available upon request / ³**Attention:** We would like to point out that installation with a rolling ring does not conform to the standards. Backflow security is not guaranteed / ⁴**Attention:** The processing instructions of the roofing membrane manufacturer must be adhered to; Materials and used material compounds may be subject to change. KALA - KUNSTSTOFFE | Karl-Heinz Lange GmbH+Co.KG reserves the right to make technical changes.