

Flat roof fans Nexo Fix for cold roofs with weather cap

Function:

- Ventilation of roof structures
- In the case of a damp roof package for moisture removal and drying out

Installation²:

Align the fan on the ground and over the holes on the Fasten the edge of the tray securely at four points in the subsurface. Professionally weld the connection sleeve to the sealing membrane all around and in accordance with the roofing membrane manufacturer's specifications.

Material:

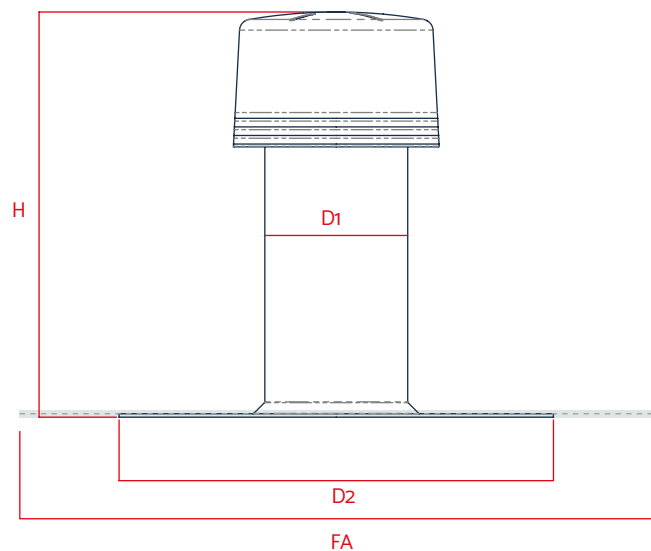
Versions PVC and FPO/PP with welded connection sleeve for easy connection to the appropriate roofing membrane. The material of the ground body is weatherproof modified: UV-stabilized, against heat degradation and oxidative aging as well as cold impact resistant.

Available sizes¹:

- D 75 mm (DN 70)
- D 110 mm (DN 100)
- D 125 mm (DN 125)
- D 160 mm (DN 150)

Package units:

Supplied in cartons, PU 1 unit



Technical data		
H	354 mm ¹	
D1	D 75 mm (DN 70) / D 110 mm (DN 100) / D 125 mm (DN 125) / D 160 mm (DN 150)	
D2	D 75 mm = 300 mm D 110 up to D 160 mm = 380 mm	
Foil connection (FA)	D 75	L 500 x B 500 mm
Foil connection (FA)	D 110 up to D 160	L 580 x B 580 mm

¹Special lengths available on request / ²**Attention:** The processing instructions of the roofing membrane manufacturer must be adhered to; Materials and used material compounds may be subject to change. KALA - KUNSTSTOFFE | Karl-Heinz Lange GmbH+Co.KG reserves the right to make technical changes.