

Gooseneck/ cable conduit

Function:

For optimal and straightforward energy feedthrough for flat roofs such as pipes or cables.

Can be used as a Gooseneck/cable conduit for flat roof fans.

Material:

- FPO/PP Black
- Low-temperature impact resistant plastic, weatherproof

Available sizes:

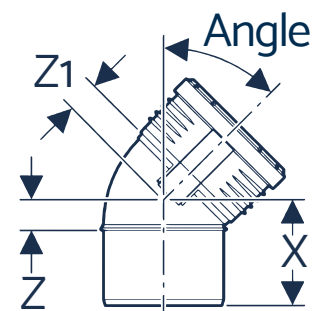
- D 75 mm (DN 70)
- D 125 mm (DN 125)
- D 110 mm (DN 100)
- D 160 mm (DN 150)

Package units:

Supplied in cartons, PU 10 units

Accessories:

EPDM end cap to secure the opening against vermin and for increased weather protection requirements (cut a suitable undersized hole in the base of the cover, the material is elastic and forms a seal against cables or pipes that have been fed through - see detailed illustration).



Technical data				
Diameter	Angle	X	Z	Z1
D 75 mm (DN 70)	45°	7,6 cm	2,0 cm	2,1 cm
D 110 mm (DN 100)	45°	9,7 cm	3,0 cm	2,9 cm
D 125 mm (DN 125)	45°	10,7 cm	3,3 cm	3,3 cm
D 160 mm (DN 150)	45°	12,2 cm	4,2 cm	4,0 cm