

Gravel basket Classic with centering cross for scupper

Function:

Moulded part as an attachment to a spout. Serves to retain coarse dirt particles to stop the drainage system from clogging up. The flow-optimised geometry ensures low levels of loss and a high flow rate even in heavy rain.

Installation:

Simply insert – the centring cross for attaching the spout screen in the pipe is already cut to size.

Material:

- PE Black
- Low-temperature impact resistant plastic, weatherproof, UV-stabilized

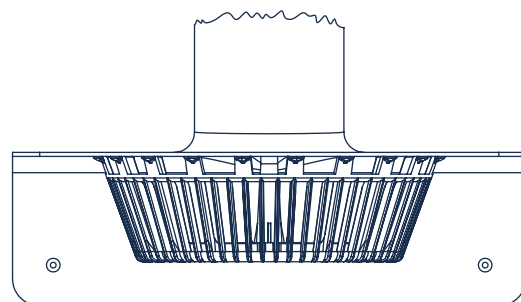
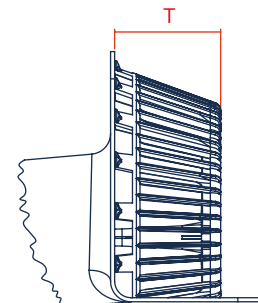
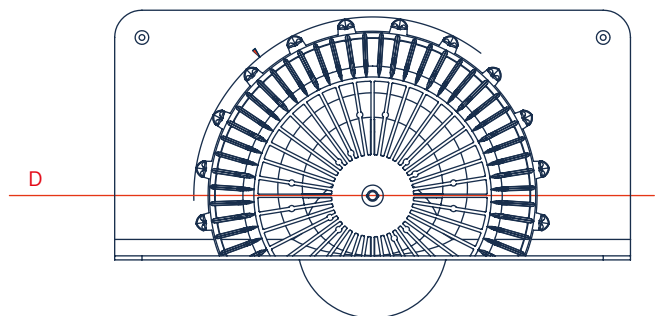
Available sizes:

Suitable for all diameters ranging from D 50 mm (DN 50) to D 125 mm (DN 125).

Simply state your preferred size when ordering.

Package units:

Supplied in cartons, PU 10 units



Technical data		
D	262	mm
T	77,5	