

# Gravel basket Vario Fix variably adjustable for scupper

## Function:

Moulded part as an attachment to a spout. Serves to retain coarse dirt particles to stop the drainage system from clogging up. The flow-optimised geometry ensures low levels of loss and a high flow rate even in heavy rain.

## Installation:

The delivery is ready for installation. Place the gravel basket centrally on the scupperout, press the locking button down and turn to the right to lock - done. The spreading feet can be continuously adjusted to the diameter of the feeder with the turning mechanism. For later removal, simply turn the knob to the left again to unlock and pull out. When unlocked, the spreader feet can simply be pressed together again.

## Material:

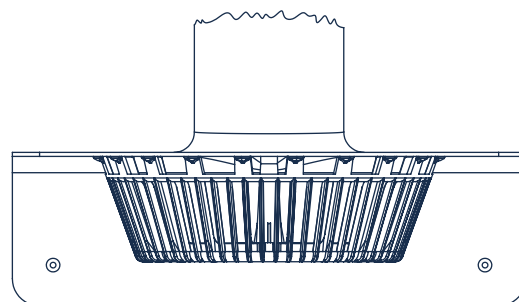
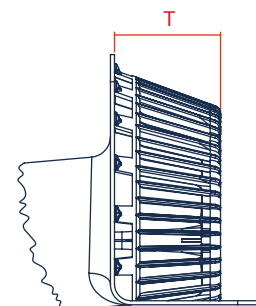
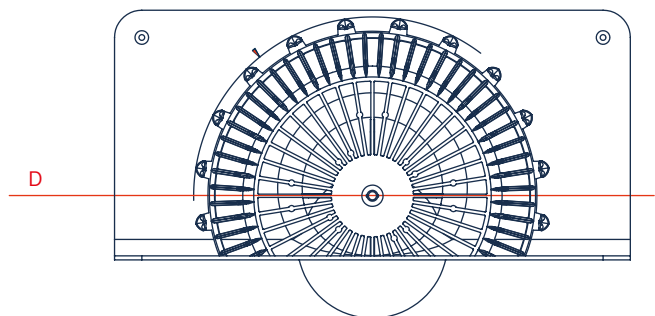
- PE Black
- Low-temperature impact resistant plastic, weatherproof, UV-stabilized

## Available sizes:

Suitable for all diameters ranging from D 50 mm (DN 50) to D 125 mm (DN 125)

## Package units:

Supplied in cartons, PU 10 units



Technical data		
D	262	mm
T	77,5	