

Height-adjustable terrace support system

Function:

Terrace support for the installation of all surface types, particularly stone slabs and boardwalk finishes. The height adjustment and optional equalizing elements permit easy levelling of surfaces and slopes. In combination with the pressure disc, which is available as an accessory, the KALA support forms a sliding support system for direct installation on seals.

Additional protective mats must be fitted in areas frequented by the public, such as entrances to public buildings, cafeterias, etc.

Versions:

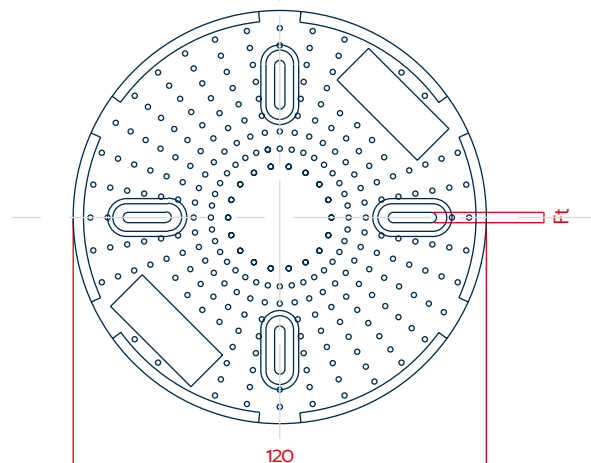
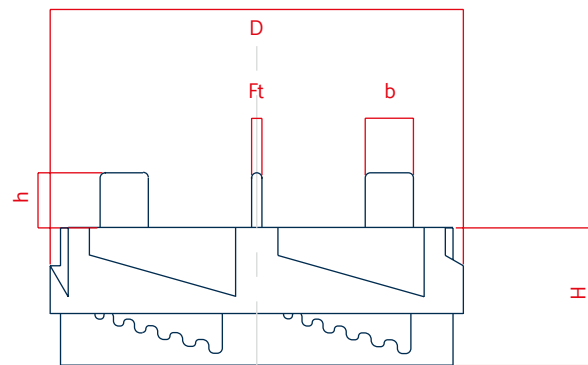
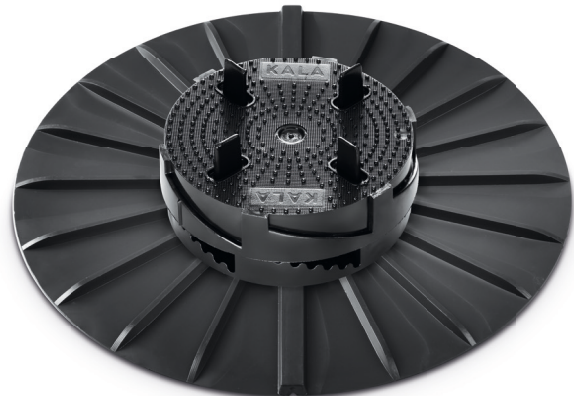
- Tile spacers for joint widths of 3 mm, alternatively 4 mm, different joint widths available as an option
- Detachable tile spacer for laying in bond or at the edge
- KALA Wood: Surface without joint dividers for underlaying wooden constructions

Package units:

Supplied in cartons, PU 50 units

Accessories:

- ProSilent equaliser disc for terrace support systems, splits into quarters, D 112 mm
- Large pressure disc, D 250 mm
- Small pressure disc, D 200 mm



Technical data			
	H1	H2	mm
D	120	120	
Ft	3, alternatively 4	3, alternatively 4	
H	28 - 42	40 - 70	
h	16	16	
b	14	14	