

KALA terrace support system H-MAX MultiLevel

Function:

The H-MAX MultiLevel is our height-adjustable support system with an additional movable compensating head. It makes laying coverings of all kinds – whether wood, stone or ceramics – easy. The compensation head can also be moved by up to 5° to compensate for steep slopes and unevenness.

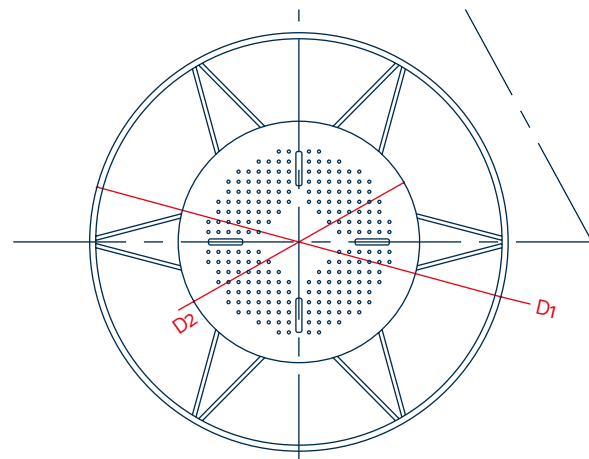
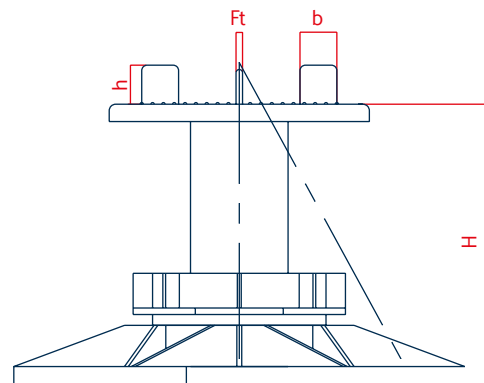
For direct installation on seals. Additional protective mats must be fitted in areas frequented by the public, such as entrances to public buildings, cafeterias, etc.

Versions:

- 3 mm wide joints
- Snap-off wings
- Integrated notch for trimming the base on the border
- Rubber support for sound insulation

Package units:

Supplied in cartons, PU 25 units



Technical data					
	62 - 82	77 - 112	107 - 142	137 - 227	
D1	200	200	200	200	mm
D2	120	120	120	120	
H	62 - 82	77 - 112	107 - 142	137 - 227	
h	10	10	10	10	
b	13	13	13	13	
Ft	3	3	3	3	

KALA - KUNSTSTOFFE | Karl-Heinz Lange GmbH+Co.KG reserves the right to make technical changes.