

# One-piece inspection fitting Nexo Fix for flat roof systems

## Function:

The inspection fitting is used for regular, simple and safe inspection of the flat roof without damaging openings. Leaks can therefore be discovered quickly and the extent of the damage can therefore be significantly reduced.

## Installation:

For each selected section, the inspection fitting is placed on the vapor barrier at the lowest point possible. Optionally, the position can be fixed to prevent displacement. Subsequently, laying the insulation and sealing with professional connection of the sealing to the pipe of the inspection fitting.

## Material:

- PVC similar to RAL 7035, Light grey
- FPO/PP similar to RAL 7044, Silk grey

## Versions

- optionally als available in other pipe lengths <sup>1</sup>, as well as
- with bitumen sleeve (on request)

## Delivery unit:

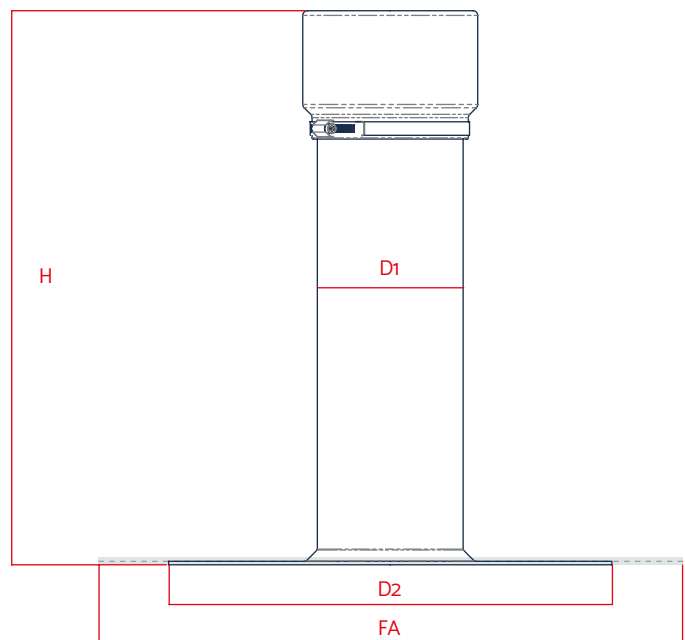
Inspection fitting, consisting of ground body in one piece removable cap, pre-assembled clamp and insulating core mounted in the cap.

## Available sizes:

D 125 mm (DN 125)

## Package units:

Supplied in foil bags, PU 1 unit



Technical data		
H	380	mm
D pipe D1	125	
D sheet D2	380	
Foil connection (FA)	D125	L 580 x B 580 mm
The total height including the polystyrene core is 605 mm		

<sup>1</sup>Special sizes available on request / <sup>2</sup>**Attention:** The processing instructions of the roofing membrane manufacturer must be adhered to; Materials and used material compounds may be subject to change. KALA - KUNSTSTOFFE | Karl-Heinz Lange GmbH+Co.KG reserves the right to make technical changes.