

# ProSilent equaliser disc for terrace support systems, splits into quarters

## Function:

Made of extra-soft, long-term stabilised PVC, our ProSilent shim reduces impact noise and all other sounds caused by movement. The disc, which is only 1 mm thick, can be divided into quarters, which therefore means it can also be used for compensating for the finest height differences on a support system.

## Material:

PVC

## Version:

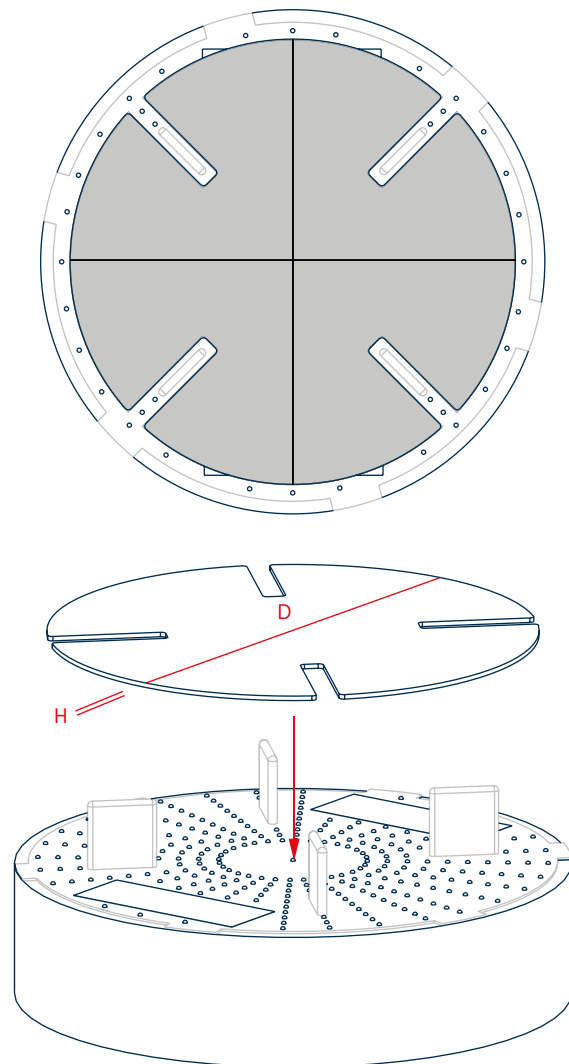
Colour Black

## Package units:

Supplied in cartons / foil bags, PU 50 units

## Accessories:

- Complete underlayable terrace support system
- Terrace support system H1
- Terrace support system H2
- H-MAX terrace support system



Technical data		
D	112	mm
H	1	