

# Scupper Nexo Fix, rectangular

## Function:

Molding for horizontal drainage or emergency drainage through the parapet. When installing, the exact installation point must be taken into account depending on the water height.

## Installation<sup>4</sup>:

Push the scupper through the horizontal opening in the parapet, align it with the subsurface and securely attach it to four points in the subsurface using the holes on the edge of the tray. Weld the connection sleeve to the waterproofing membrane all around professionally and in accordance with the roofing membrane manufacturer's specifications.

## Material:

Versions PVC and FPO/PP with welded connection sleeve for easy connection to the appropriate roofing membrane. The material of the ground body is weather-proof modified: UV-stabilized, against heat degradation and oxidative aging as well as cold impact resistant.

## Available sizes (W x H – Internal dimensions) <sup>1</sup>:

- 120 x 60 mm    • 300 x 100 mm    • 600 x 100 mm
- 300 x 80 mm    • 500 x 100 mm

## Available length (l):

- 300 mm        • 600 mm

## Colours:

### Ground body:

- PVC similar to RAL 7047, Telegrey 4
- FPO/PP similar to RAL 7044, Silk grey

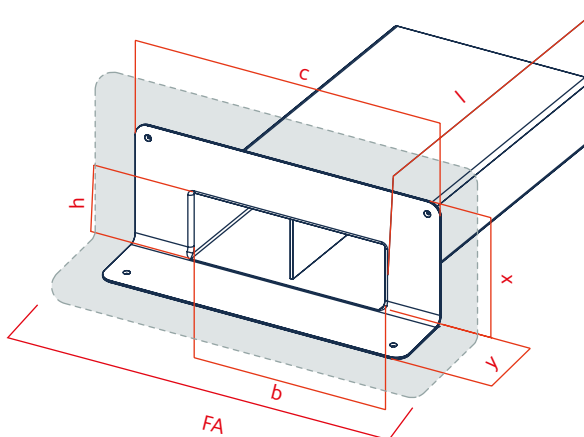
Roof membrane colors are determined by the respective manufacturer.

## Package units:

Supplied in cartons, PU 1 unit

## Accessories <sup>2</sup>:

Vapour barrier sheet for scupper and emergency overflow, rectangular



Technical data <sup>3</sup>						
Duct = W x H	b	h	c	x	y	
120 x 60	120	60	300	153	100	mm
180 x 80	180	80	360	173	100	
300 x 80	300	80	480	173	100	
300 x 100	300	100	480	193	100	
500 x 100	500	100	680	193	100	
600 x 100	600	100	780	193	100	

Pipe inclination 5° in each case

Foil connection (FA)						
Sizes (L x W) in mm	440 x 500	460 x 560	460 x 680	480 x 680	460 x 880	480 x 980
Sizes for	120 x 60 x 300/600	180 x 80 x 300/600	300 x 80 x 300/600	300 x 100 x 300/600	500 x 100 x 300/600	600 x 100 x 300/600

## Drainage performance litre/sec.:

LGA-certified characteristics

Duct = W x H <sup>1,3</sup>	Accumulation height	
	35 mm	65 mm
120 x 60	1,30	3,50
180 x 80	1,90	5,00
300 x 80	3,00	7,80
300 x 100	3,00	7,80
500 x 100	5,50	13,40
600 x 100	7,20	N/A

<sup>1</sup> Special sizes available on request / <sup>2</sup> alternatively also available with a retaining ring in the desired height / <sup>3</sup> custom designs are non-returnable / <sup>4</sup> **Attention:** The processing instructions of the roofing membrane manufacturer must be adhered to; Materials and used material compounds may be subject to change. KALA - KUNSTSTOFFE | Karl-Heinz Lange GmbH+Co.KG reserves the right to make technical changes.