

# Scupper, rectangular

## Function:

Moulded part for horizontal drainage or emergency drainage through the parapet wall. When installing the emergency overflow, the precise installation point depends on the water level.

## Material<sup>5</sup>:

PVC and FPO/PP<sup>2</sup> models for connection to the respective matching roofing membrane material type. Perform connection for bituminous waterproofing using liquid plastic. The materials are modified to be weather-resistant: UV-stabilised, against heat degradation and oxidative ageing as well as resistant to cold impact.

## Available sizes (W x H – Internal dimensions) <sup>1</sup>:

- 120 x 60 mm    • 300 x 80 mm    • 500 x 100 mm    • 750 x 100 mm
- 180 x 80 mm    • 300 x 100 mm    • 600 x 100 mm    • 1000 x 100 mm

## Available length (l):

- 300 mm        • 600 mm

## Colours:

- PVC similar to RAL 7047, Telegrey 4
- FPO/PP similar to RAL 7044, Silk grey

## Package units:

Supplied in cartons, PU 1 unit

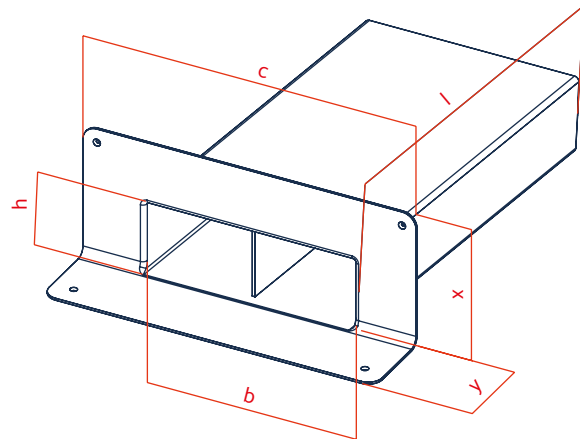
## Accessories <sup>3</sup>:

Vapour barrier sheet for scupper and emergency overflow, rectangular

## Drainage performance litre/sec.:

LGA-certified characteristics

Duct = W x H <sup>1,4</sup>	Accumulation height	
	35 mm	65 mm
120 x 60	1,30	3,50
180 x 80	1,90	5,00
300 x 80	3,00	7,80
300 x 100	3,00	7,80
500 x 100	5,50	13,40
600 x 100	7,20	N/A
750 x 100	7,50	19,20
1000 x 100	12,60	29,40



Technical data <sup>4</sup>							
Duct = W x H	b	h	c	x	y		
120 x 60	120	60	300	153	100	mm	
180 x 80	180	80	360	173	100		
300 x 80	300	80	480	173	100		
300 x 100	300	100	480	193	100		
500 x 100	500	100	680	193	100		
600 x 100	600	100	780	193	100		
750 x 100	750	100	930	193	100		
1000 x 100	1000	100	1180	193	100		
Pipe inclination 5° in each case							

<sup>1</sup>Special sizes available on request / <sup>2</sup>also available in PE (PE-based roof membranes) and BIT (sealed with liquid plastic) / <sup>3</sup>alternatively also available with a retaining ring in the desired height / <sup>4</sup>custom designs are non-returnable / <sup>5</sup>**Attention:** The processing instructions of the roofing membrane manufacturer must be adhered to; Materials and used material compounds may be subject to change. KALA - KUNSTSTOFFE | Karl-Heinz Lange GmbH+Co.KG reserves the right to make technical changes.