

Scupper, round

Function:

Structure part for horizontal drainage through the parapets of flat roofs or terrace. Install by connecting to a pipe system for water drainage, or use for free-flow drainage. When installing the scupper, the precise installation point depends on the water level.

Material³:

Our scuppers are available in PVC, FPO/PP² and BIT for connection to the matching material used for the roof membrane. The materials are modified to be weather-resistant: UV-stabilised, against heat degradation and oxidative ageing as well as resistant to cold impact.

Available sizes:

- D 50 mm (DN 50)
- D 63 mm
- D 75 mm (DN 70)
- D 90 mm
- D 110 mm (DN 100)
- D 125 mm (DN 125)

Package units:

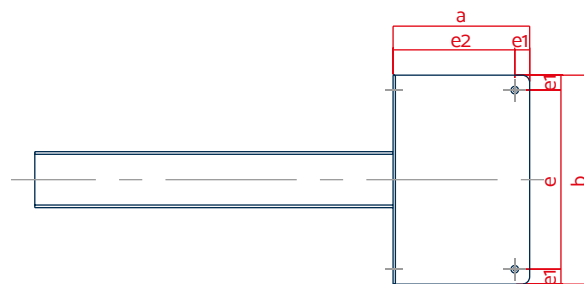
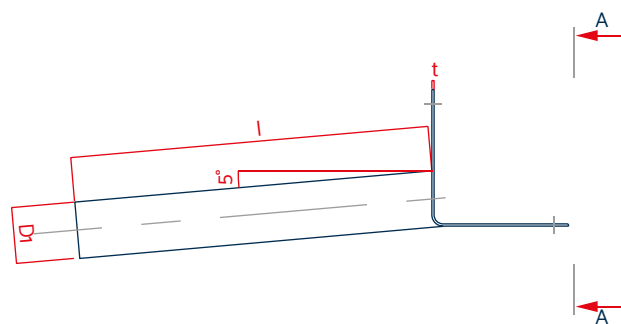
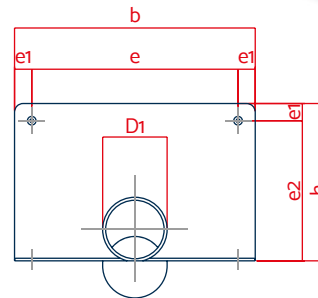
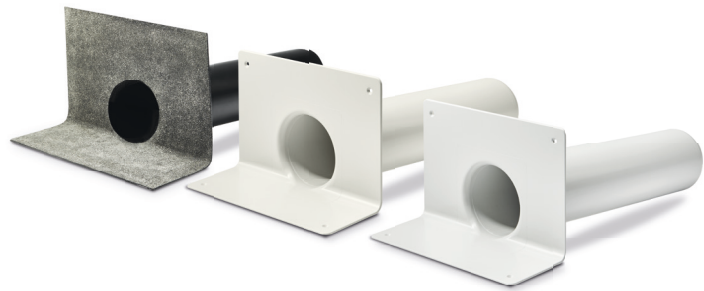
Supplied in cartons, PU 1 unit

Accessories:

- Gravel basket Classic for scupper
- Gravel basket Vario Fix for scupper
- Vapour barrier sheet for scupper and emergency overflow, round

Drainage performance litre/sec.:

LGA-certified characteristics



Diameter	Accumulation height	
	35 mm	65 mm
D 50 mm (DN 50)	0,51	1,31
D 75 mm (DN 70)	0,65	1,65
D 90 mm	0,65	1,90
D 110 mm (DN 100)	1,00	2,65
D 125 mm (DN 125)	1,00	2,80

Technical data		
D1	50 / 63 / 75 / 90 / 110 / 125	mm
l	480 ¹	
a	112	
b	280	
h	112	
e	240	
e1	20	
e2	92	
t	3	
Pipe inclination 5°		

¹Special lengths available on request / ²also available in PE (roofing membranes based on PE) / ³Attention: The processing instructions of the roofing membrane manufacturer must be adhered to; Materials and used material compounds may be subject to change. KALA - KUNSTSTOFFE | Karl-Heinz Lange GmbH+Co.KG reserves the right to make technical changes.