

# Tile spacers

## height: 11 mm

### Function:

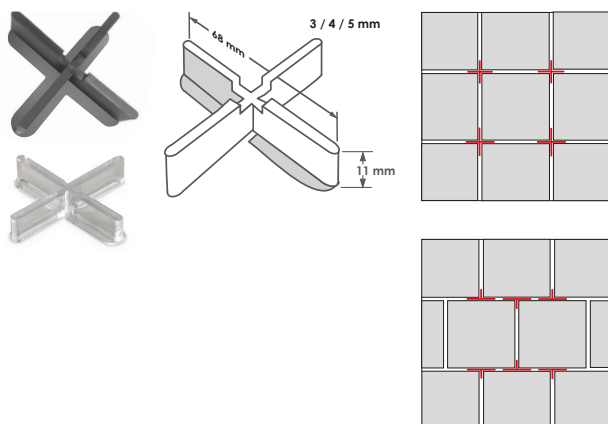
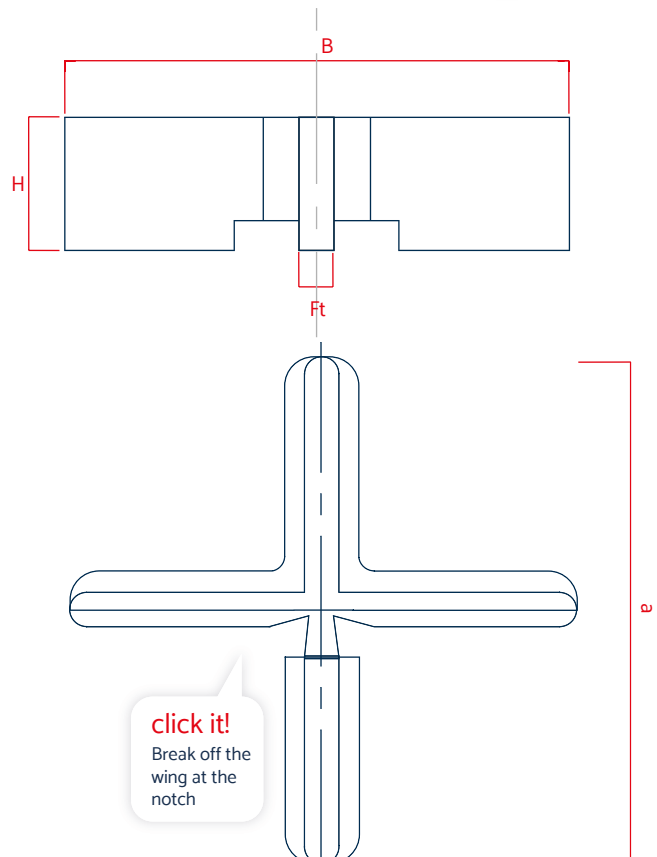
For laying ceramic tiles. The tile spacers serve as spacers for forming permanent joints in accordance with regulations.

### Versions:

- Joint widths 3, 4 and 5 mm
- An arm can be easily broken off at the notch
- Universal tile spacer with support
- Default color black
- A transparent model is also available for ultra high-end patios
- Special colors available on request

### Package units:

Supplied in cartons, PU 300 units



#### Technical data

B	68	mm
H	11	
Ft	3 / 4 / 5	