

Universal weather cap for flat roof fans

Function:

Weatherproof cover for ventilation ducts. Securing the ventilation duct with the KALA weather protection cap prevents snow and rain from entering. The streamlined cross-section facilitates the exchange of air.

The weather protection cap is simply pushed onto the ventilation duct and pressed tight. The guide pins are designed for connection to DN 100 and DN 125 ventilation ducts. The design provides for a secure hold of the cap on the duct.

Material:

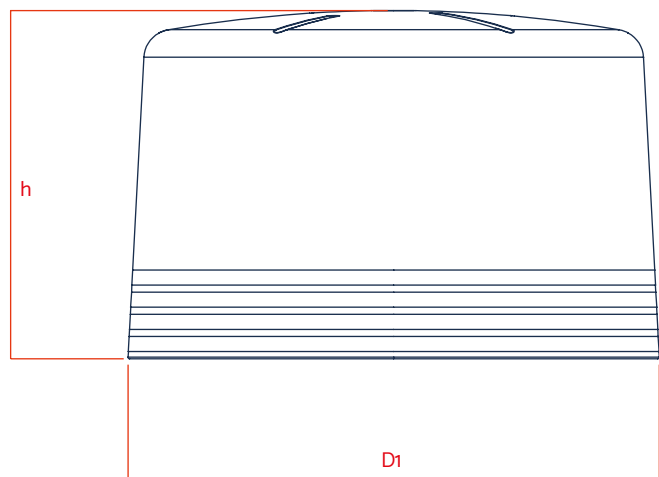
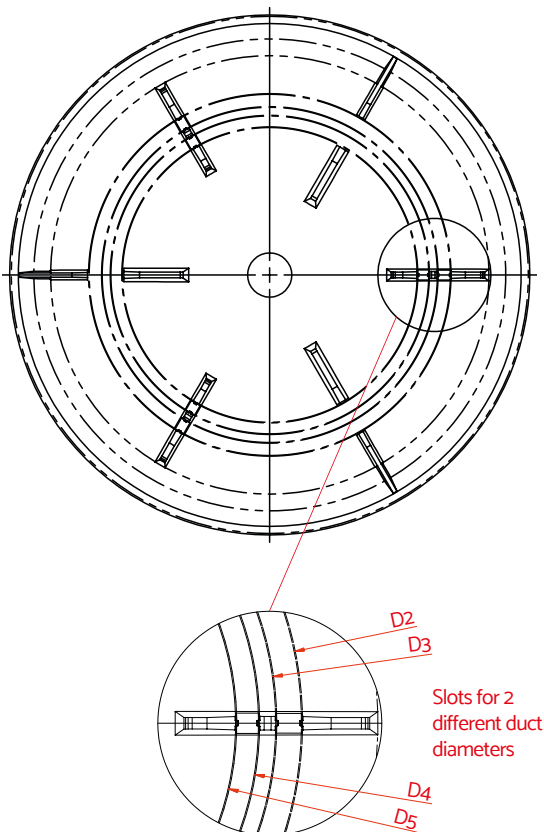
FPO/PP, impact resistant, weatherproof, UV-stabilized

Versions:

- Suitable for use with DN 100 and DN 125
- Colour black, other colors available on request

Package units:

Supplied in foil bags, PU 1 unit



| Technical data | |
|----------------|----------|
| h | 118 mm |
| D1 | ø 180 mm |
| D2 | ø 125 mm |
| D3 | ø 116 mm |
| D4 | ø 110 mm |
| D5 | ø 102 mm |