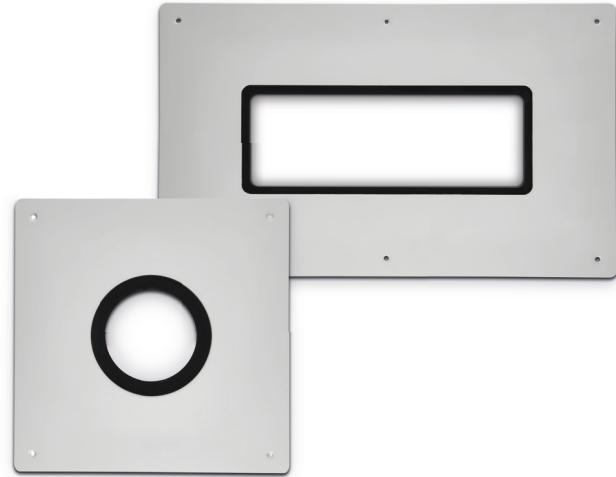


Vapour barrier sheet for round and rectangular scuppers and emergency overflows

Function:

Emergency overflows or spouts are difficult to feed through the parapet wall. The seal is usually inadequate. The vapour barrier plate is fitted to the parapet wall and guarantees the vapour-tight passage of the pipe through the wall.



Material:

- Base: PVC
- Seal: EPDM

Available sizes:

round:

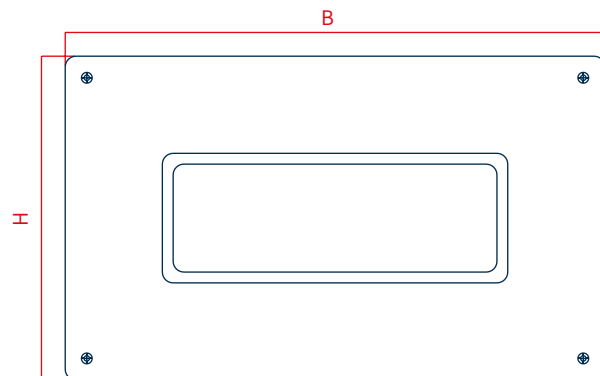
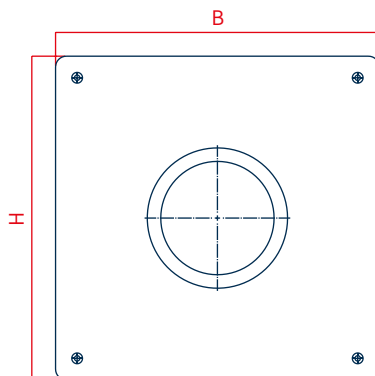
- D 50 mm (DN 50)
- D 75 mm (DN 70)
- D 95 mm
- D 110 mm (DN 110)
- D 125 mm (DN 125)

rectangular:

- 120 x 60 mm
- 180 x 80 mm
- 300 x 80 mm
- 300 x 100 mm
- 500 x 100 mm
- 600 x 100 mm
- 750 x 100 mm
- 1000 x 100 mm

Package units:

Supplied in cartons, PU 1 unit



Technical data			
Version	Width B	Height H	mm
D 50 mm (DN 50)	300	300	
D 75 mm (DN 70)			
D 95 mm			
D 110 mm (DN 110)			
D 125 mm (DN 125)			

Technical data			
Version	Width B	Height H	mm
120 x 60	320	260	
180 x 80	380	280	
300 x 80	500	280	
300 x 100	500	300	
500 x 100	700	300	
600 x 100	800	300	
750 x 100	950	300	
1000 x 100	1200	300	

KALA - KUNSTSTOFFE | Karl-Heinz Lange GmbH+Co.KG reserves the right to make technical changes.