

Ventilators for bitumen shingle roofs

Function:

Ventilator to ensure air exchange on the levels to be back-ventilated for shingle roofs. The element can also be installed as an outlet vent using the flexible outlet vent connection, which is available as an accessory. Thus ensuring that the roofscape remains uniform.

Connection Method:

A 270 x 150 mm opening is cut in the underlay. The lower shingles are brought up to the opening and fitted into place properly. Now align the fan evenly in the centre over the opening and fasten it in place through the holes in the rebate.

Important: Maintain a distance of approx. 30 mm between the shingles and the ventilation duct at the sides and the top to ensure that water drains off freely.

Technical data vent for shingle roofs:

- Bottom section: length 410 mm, width 325 mm
- Top section: length 300 mm, width 195 mm
- Overall height: 120 mm
- Deck flange widths: 90/100 mm
- Default colors: brown and black
- Special colours (hood): grey and red
- Other colours available on request
- Interchangeable hood

Package units:

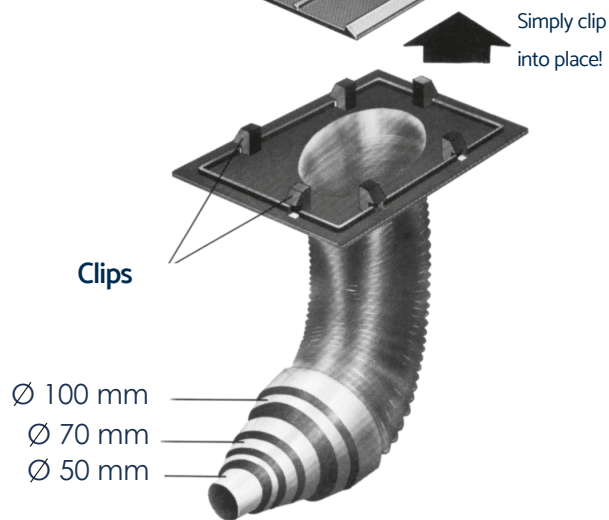
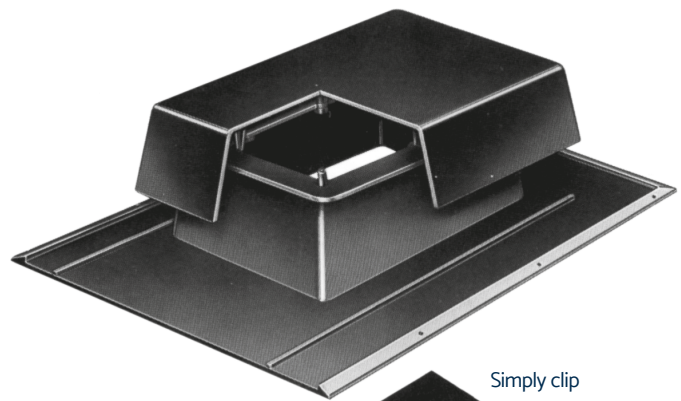
Supplied in cartons, PU 10 units

Accessories:

Outlet vent connection

Technical data Outlet vent connection:

- Length 260 mm
- Width 140 mm
- Air cross-section, fan: 170 cm²
- Air cross-section, flexible hose: 80 cm²
- Flex hose Ø: 100 mm
- For 50/70/100 mm hose connection
- Colour black
- All flexible tubes are basically UV-resistant



Outlet vent connection

¹ **Attention:** The processing instructions of the roofing membrane manufacturer must be adhered to; Materials and used material compounds may be subject to change. KALA - KUNSTSTOFFE I Karl-Heinz Lange GmbH+Co.KG reserves the right to make technical changes.